

# **HD IR Dome Network Camera Quick Start Guide**

**Version 1.0.0**

# Welcome

Thank you for purchasing our Network camera!

This user's manual is designed to be a reference tool for your system.

Please read the following safeguard and warnings carefully before you use this series product!

Please keep this user's manual well for future reference!

## Important Safeguards and Warnings

### 1 . Electrical safety

- All installation and operation here should conform to your local electrical safety codes.
- Please check if the power supply is correct before operating the device.
- The power shall conform to the requirement in the SELV (Safety Extra Low Voltage) and the Limited power source is rated DC 12V or AC 24V in the IEC60950-1. (Power supply requirement is subject to the device label).
- Please install easy-to-use device for power off before installing wiring, which is for emergent power off when necessary.
- Please prevent the line cord from being trampled or pressed, especially the plug, power socket and the junction from the device.
- **Note: Do not connect these two power supplying sources to the device at the same time; it may result in device damage!**
- We assume no liability or responsibility for all the fires or electrical shock caused by improper handling or installation.
- We are not liable for any problems caused by unauthorized modification or attempted repair.

### 2 . Environment

- Please don't aim the device at strong light (such as lighting, sunlight and so on) to focus; otherwise it may cause overexposure (It is not the device malfunction), which will affect the longevity of CCD or CMOS.
- Please transport, use and store the device within the range of allowed humidity and temperature.
- Please don't keep the device in a place which is wet, dusty, extremely hot, and extremely cold and with strong electromagnetic radiation or unstable lighting.
- Please do not allow water and other liquid falling into the camera in case that the internal components are damaged.
- Please do not allow rain or damp to the indoor device in case fire or lightning may occur.
- Please keep the sound ventilation in case of heat accumulation.
- Please pack the device with standard factory packaging or material with same quality when transporting the device.
- Heavy stress, violent vibration or water splash are not allowed during transportation, storage and installation.

### 3. Operation and Daily Maintenance

- Please do not touch the heat dissipation component of the device directly in order to avoid scald.

- Please do not dismantle the device; there is no component which can be fixed by users themselves in the machine. It may cause water leakage or bad image for the device due to unprofessional dismantling. Please contact after-sale service to replace desiccant if it becomes green.
- It is recommended to use the device with thunder proof device in order to improve thunder proof effect.
- The grounding holes of the product are recommended to be grounded to further enhance the reliability of the camera.
- Do not touch the CCD (CMOS) optic component directly. You can use the blower to clean the dust or dirt on the lens surface. Please use a dry cloth wetted by alcohol to wipe away the dust gently if it is necessary to clean.
- Always use the dry soft cloth to clean the device. If there is too much dust, please use the water to dilute the mild detergent first and then use it to clean the device. Finally use the dry cloth to clean the device. Don't use volatile solvent like alcohol, benzene, thinner and etc or strong detergent with abrasiveness, otherwise it will damage the surface coating or reduce the working performance of the device.
- Dome cover is an optical device, please don't touch or wipe cover surface directly during installation and use, please refer to the following methods to deal with once dirt is found:
  - Stained with dirt
    - Use oil-free soft brush or hair dries to remove it gently.
  - Stained with grease or fingerprint
    - Use soft cloth to wipe the water drop or oil gently to make it dry, then use oil-free cotton cloth or paper soaked with alcohol or detergent to wipe from the lens center to outward. It is ok to change the cloth and wipe several times if it is not clean enough.

## **Warning**

- Please modify the default password after login in order to avoid being stolen.
- Please use the standard accessories provided by manufacturer and make sure the device is installed and fixed by professional engineers.
- Please prevent the device surface from the radiation of laser beam when using laser beam device.
- Please do not provide two or more power supply modes for the device, otherwise it may cause damage to the device.

## **Statement**

- Please refer to the actual product for more details; the manual is just for reference.
- The manual will be regularly upgraded according to the product update; the upgraded content will be added in the manual without prior announcement.
- Please contact the supplier or customer service if there is any problem occurred when using the device.
- Please contact the customer service for the latest procedure and supplementary documentation.

- There may be deviation between the actual value of some data and the value provided in the manual due to the reasons such as the real environment is not stable and so on. Please refer to the company's final explanation if there is any doubt or dispute.
- The company is not liable for any loss caused by the operation which is not followed by the manual.

## FCC Information

### 1. FCC conditions:

This device complies with part 15 of the FCC Rules. Operation is subject to the following two conditions:

- This device may not cause harmful interference;
- This device must accept any interference received, including interference that may cause undesired operation.

### 2. FCC compliance:

This equipment has been tested and found to comply with the limits for a digital device, pursuant to part 15 of the FCC Rules. These limits are designed to provide reasonable protection against harmful interference. This equipment generates uses and can radiate radio frequency energy and, if not installed and used in accordance with the instruction manual, may cause harmful interference to radio communication. However, there is no guarantee that interference will not occur in a particular installation. If this equipment does cause harmful interference to radio or television reception, which can be determined by turning the equipment off and on, the user is encouraged to try to correct the interference by one or more of the following measures:

- Reorient or relocate the receiving antenna.
- Increase the separation between the equipment and receiver.
- Connect the equipment into an outlet on a circuit different from that to which the receiver is connected.
- Consult the dealer or an experienced radio/TV technician for help.

### Note:

Please refer to the disk for more details, check and download corresponding user's manual and tool.

Before installation, please open the package and check all the components are included.

Contact your local retailer ASAP if something is broken in your package.

Accessory Name	Amount
Network Camera Unit	1
Quick Start Guide	1
Inner Hex Wrench	1
Installation Screw	1 packet
Installation Position Map	1
Junction Box	1

# Table of Contents

1	Structure .....	1
1.1	Port Description .....	1
1.2	Framework and Dimension .....	2
1.3	Bidirectional Talk .....	2
1.4	Alarm Setup.....	2
2	Device Installation .....	5
2.1	Installation Steps .....	5
3	Network Configuration .....	8
3.1	Modify IP Address .....	8
3.2	Login WEB Interface .....	9

# 1 Structure

## Note:

The following figure is for reference only, which is used to know the functions of device external ports. There are differences about external ports for some product models, please refer to the actual object for more details.

## 1.1 Port Description

You can refer to the following figure for more details. See

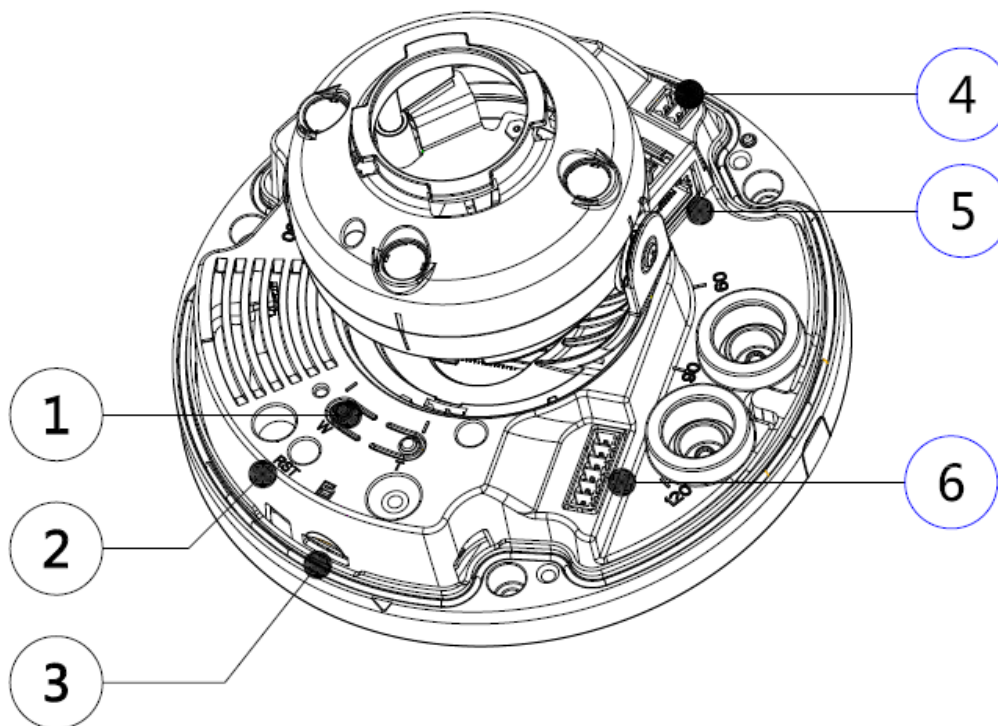


Figure 1-1.

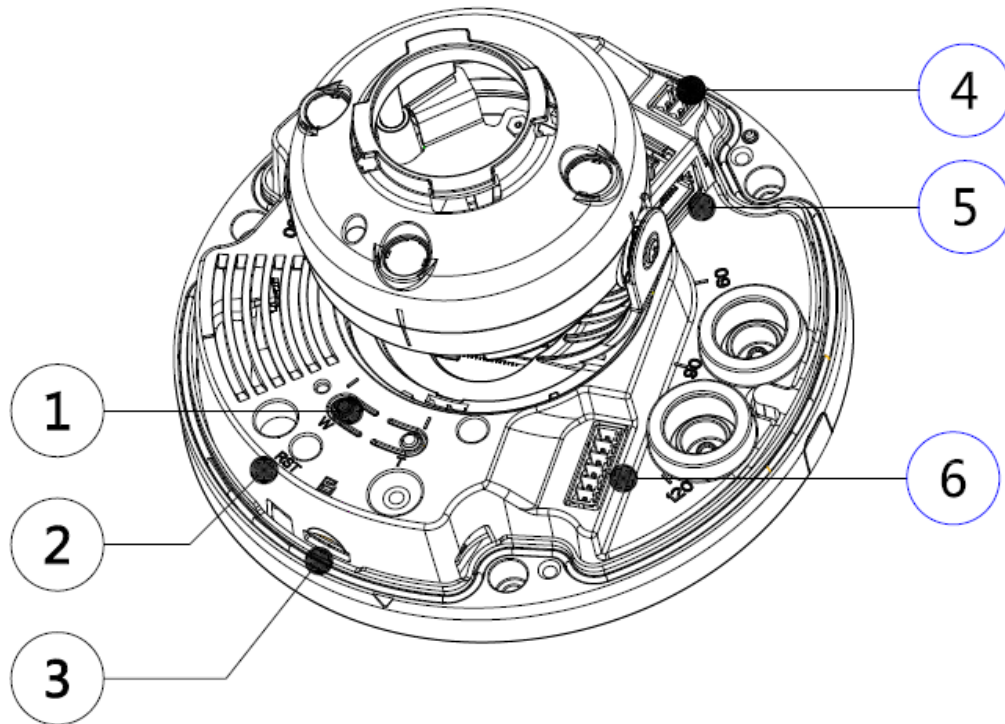


Figure 1-1

Please refer to the following sheet for detailed information.

SN	Port	Port Name	Function Description
1	Zoom W	-	Adjust lens to wide angle end (image min zoom)
2	RESET	Reset button	Reset button, restore device factory default.
3	SD Card	Micro SD slot	Connect Micro SD for local storage
4	Power	Power input port	Power port, input DC12V or AC24V. Note <ul style="list-style-type: none"> <li>● Please connect the default DC5.5 round port to 2-pin converter cable when you are using AC 24V power.</li> <li>● Actual use in accordance with device label instruction.</li> </ul>
5	LAN	Network port	<ul style="list-style-type: none"> <li>● Connect to standard Ethernet</li> <li>● Support POE function</li> </ul>
6	Serial port	Serial port	It helps communication via protocol.

## 1.2 Framework and Dimension

### Note

The following figures are for reference only, which are used to know the device dimension, please refer to the actual product for more details.

Please refer to the following figure for dimension information. The unit is mm. See Figure 1-2

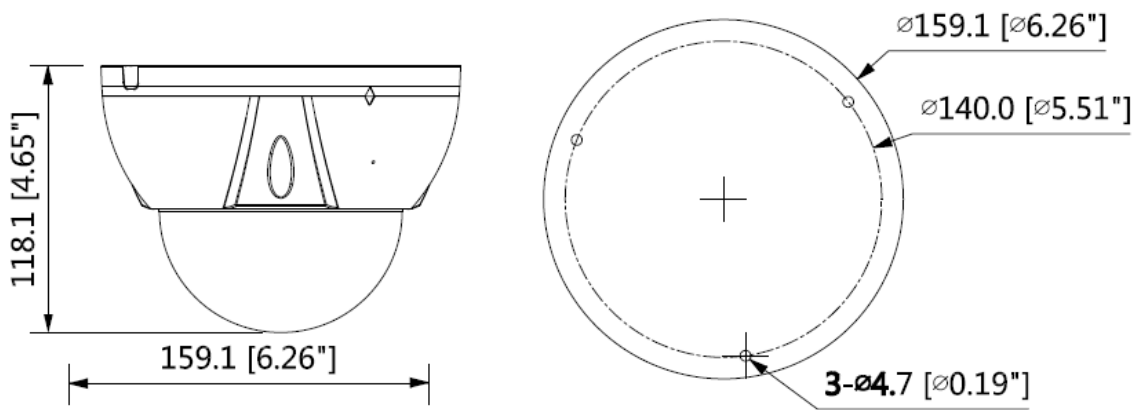


Figure 1-2 Dimension illustration

## 1.3 Bidirectional Talk

### Note:

Some products do not support bidirectional talk, which cannot be applied to this chapter.

### Step 1

Connect the speaker or the MIC to the audio input port of the device and PC; connect the earphone to the audio output port of the device and PC respectively.

### Step 2

Log in the device WEB interface, click “Talk” button to enable bidirectional talk. You can see the button becomes orange after you enabled the audio talk function. Click “Talk” button again to stop the bidirectional talk function.

### Step 3

Input audio to speaker or MIC on the device end and PC respectively, and receive the audio via earphone on the device end and PC.

## 1.4 Alarm Setup

### Note:

It is only supported by some series products.

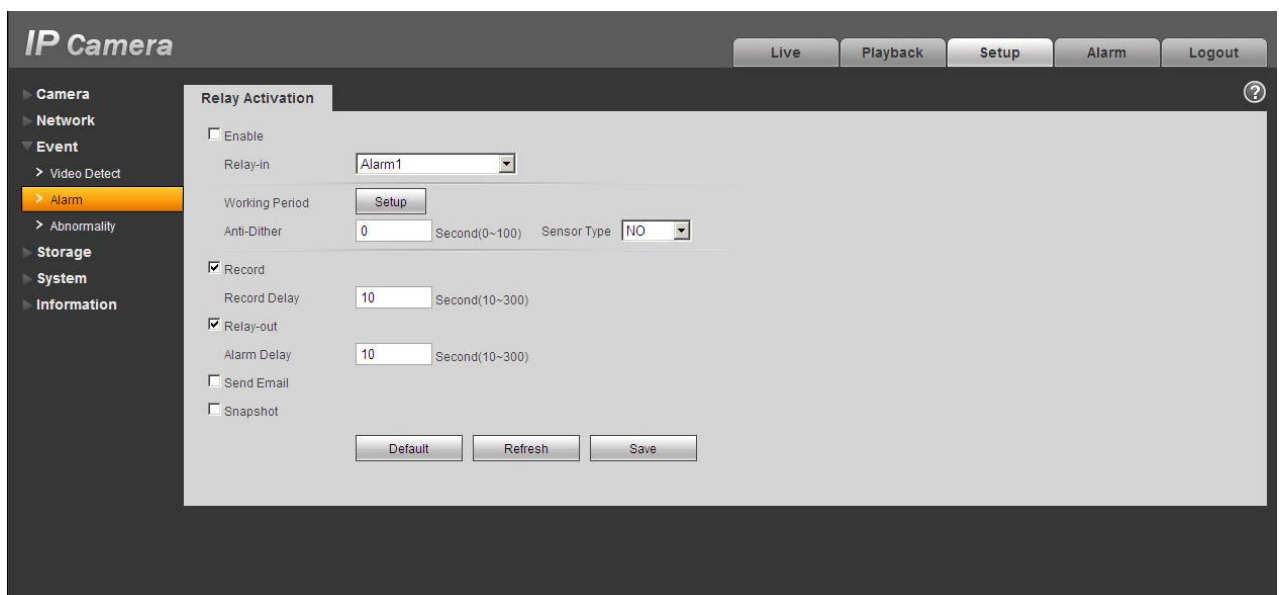


Figure 1-3

Alarm input, output description:

**Step 1**

Connect alarm input device to the alarm input of I/O port cable.

**Step 2**

Connect alarm output device to the ALARM\_OUT and ALARM\_OUT\_GND of I/O port cable, alarm output is the relay switch output; alarm output port can only be connected to NO (normally open) alarm device.

**Step 3**

Open the WEB, set alarm input and output correspondingly in alarm setup. Alarm input on the WEB is corresponding to that of the device I/O port cable. When there is alarm, alarm input device will generate signal of high and low level. Set corresponding NO and NC inputs.

**Step 4**

Set alarm output on the WEB, the alarm output is corresponding to the alarm output end of the device, this is the alarm output port of the I/O port cable.

Please refer to the following figure for alarm input and output information. See Figure 1-4.

Alarm input: When the input signal is idle or grounded, the device can collect the different statuses of the alarm input port. The input signal is connected to 3.3V or is idle; the device collects the logic "1". When the input signal is grounded, the device collects the logic "0".

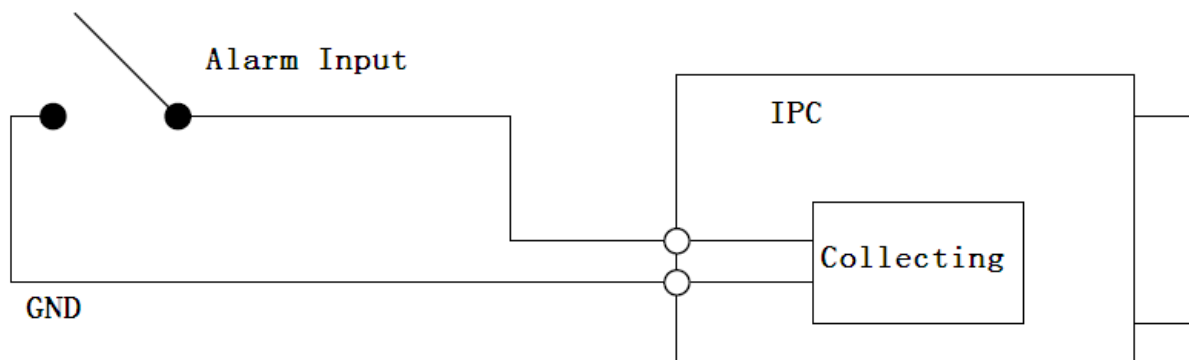


Figure 1-4

Alarm output: port ALARM\_OUT and ALM\_OUT\_GND form a switch, which is used to provide alarm output. Normally the switch is on; it will be off when there is alarm output.

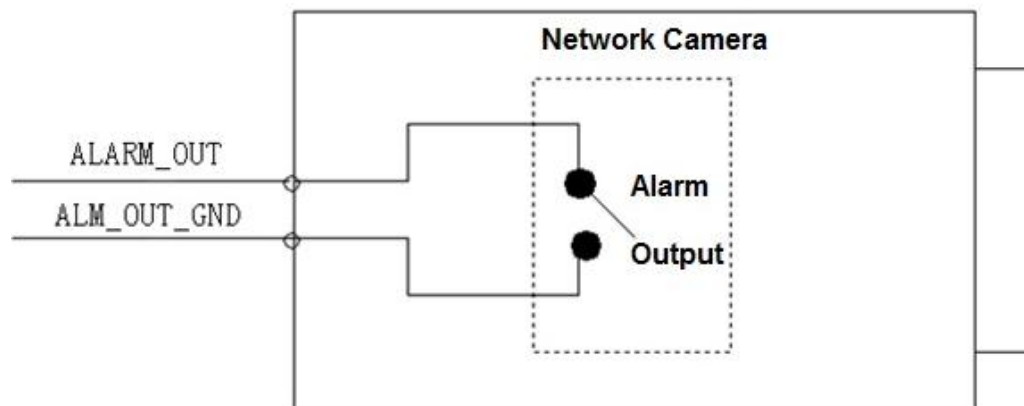


Figure 1-5

## 2 Device Installation

### 2.1 Installation Steps

**Note:**

- The following installation figures are for reference only; please refer to the actual product for more details.
- Please make sure the bracket installation surface can sustain at least 3X weight of the camera and the bracket.
- Please cut off the device power when installing Micro SD card.

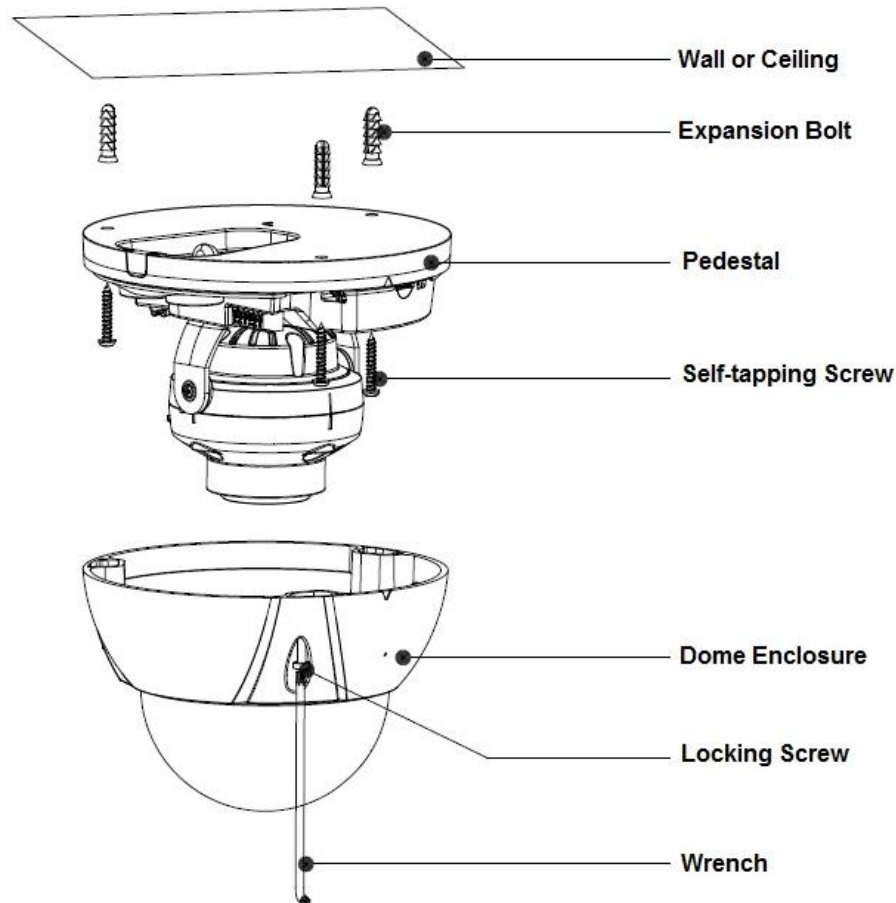


Figure 2-1

#### **Step 1**

Use the wrench in the accessories bag to unscrew three flower head screws on the dome enclosure, and then open the dome enclosure.

**Note:**

As for the device with plastic enclosure, you can directly rotate the enclosure anticlockwise and open the dome enclosure.

#### **Step 2**

**Note:**

Please implement this step when it needs to use Micro SD card and there is a Micro SD card slot for the device.

Find the "Micro SD" sign in the device; adjust the direction of Micro SD card according to the direction shown on the device, insert the card into the slot and install the Micro SD card well.

### **Step 3**

Please take out the installation position map from the accessories bag, and then paste it on the ceiling or the wall according to your monitoring area requirements.

### **Step 4**

Find “cross” signs on the map, and dig three plastic expansion bolts holes on the installation surface and then insert three expansion bolts into the holes. Secure these three bolts firmly.

### **Step 5**

Adjust the device installation pedestal to the proper position and then pull cable through the exit hole on the installation surface. Align the three screw holes in the device pedestal with the three plastic expansion bolt holes in the installation position. Put the three installation screws into the three plastic expansion bolts and secure them firmly. Fix the pedestal on the installation surface.

### **Step 6**

Adjust the lens to the needed angle according to the application requirements of the location. Hold the screw location of the rotation bracket on both sides, turn the rotation bracket horizontally, adjust the lens direction horizontally to the target position; unscrew the two locking screws on both sides (do not remove them completely, just make them loose), hold the IR light decoration cover to make the lens rotate vertically, adjust the vertical direction of lens to a proper monitoring angle, then tighten the locking screws on both sides; Hold the IR light decoration cover to rotate horizontally, adjust the image and adjust the lens horizontal direction to the targeted location.

#### **Note:**

Range of adjusting lens angle: vertical rotation direction ( $0^{\circ} \sim +65^{\circ}$  ), horizontal rotation direction ( $0^{\circ} \sim +355^{\circ}$  ), image horizontal rotation direction ( $0^{\circ} \sim +355^{\circ}$  ).

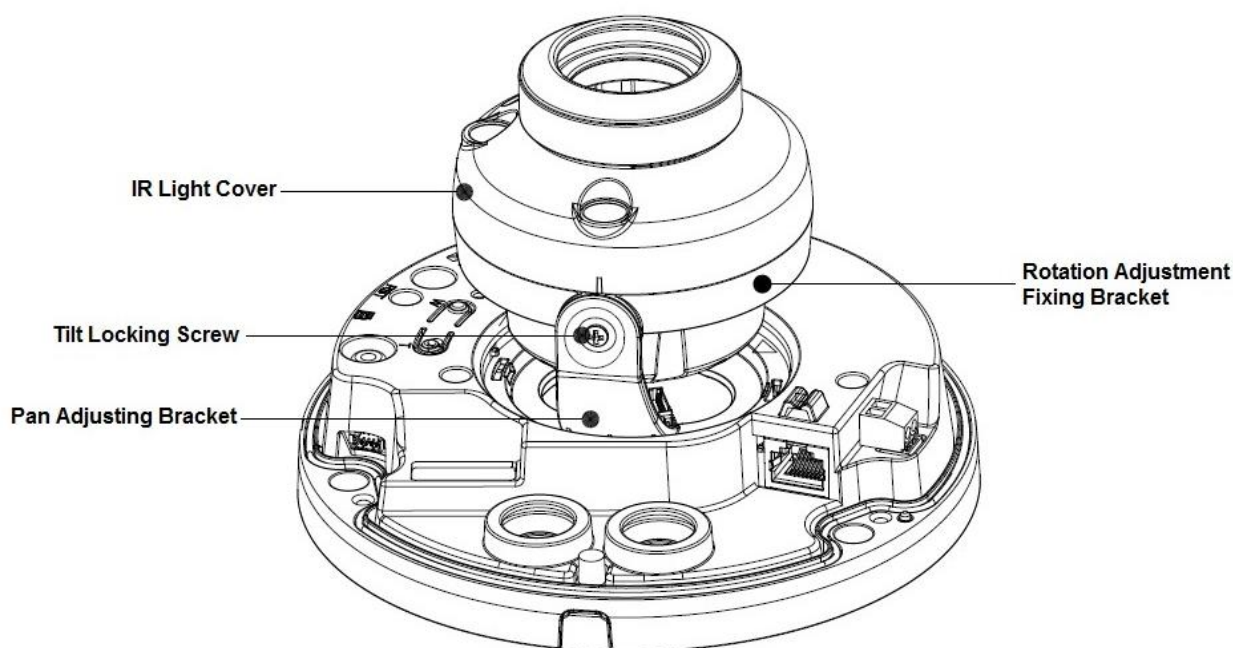


Figure 2-2

### **Step 7**

Take up the dome enclosure; aim the location of side cable exit and cover the enclosure, use inner hex wrench to secure three camera screws firmly. So far, the installation is completed.

#### **Note:**

For the device with plastic enclosure, you can directly rotate the dome enclosure clockwise, cover the dome enclosure and complete installation.

### **Step 8**

Waterproof connector installation for network port; see Figure 2-3 for more details.

**Note:**

Please implement this step if the device is equipped with network port waterproof connector and it is used outdoors.

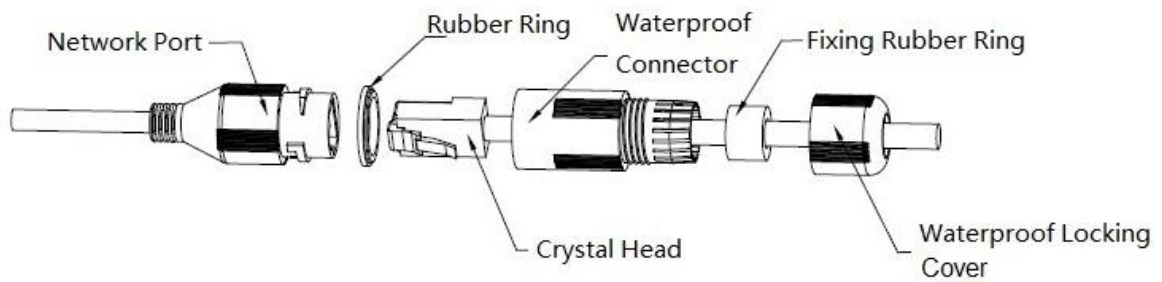


Figure 2-3

1. Keep the convex groove outward and install the rubber ring into the network port, keep the smaller hole of the rubber ring outward and install the fixing rubber ring into the main body of the waterproof connector.
2. Pull the network cable without crystal head through main body of waterproof connector, fixing rubber ring and waterproof locking cover, make the crystal head of network cable, and then insert it into the network cable.
3. Put the main body of waterproof connector on the network port and rotate it clockwise to lock the network port and waterproof connector firmly.
4. Put the waterproof locking cover on the main body of waterproof connector and rotate it clockwise to lock the waterproof connector and waterproof locking cover firmly.

### 3 Network Configuration

The IP address of all the cameras is the same when leaving factory (default IP192.168.1.108), in order to make the camera get access to the network smoothly, please plan the useable IP segment reasonably according to the actual network environment.

#### 3.1 Modify IP Address

IP address can be acquired and modified through quick configuration tool for the cameras which are accessed via wired network, it needs to connect wired network to configure wireless parameters before using wireless network cameras. In this chapter, it will introduce the approach of modifying IP address via “Quick Configuration Tool”; also you can modify the IP address in the network parameters of the WEB interface, please refer to the document in the disk << WEB Operation Manual>> for more details.

Note:

Currently the quick configuration tool only supports the cameras which apply to the same network segment with computer IP address.

Step 1 Double click the “ConfigTools.exe” and open the quick configuration tool.

Step 2 Double click the device to be configured, the system will pop out the “Login” dialog box. Enter the IP address, user name, password and port number of the camera, and click “Confirm”.

Note:

The default user name and password are admin and admin respectively, the default of port is 37777. See Figure 3-1 for more details.

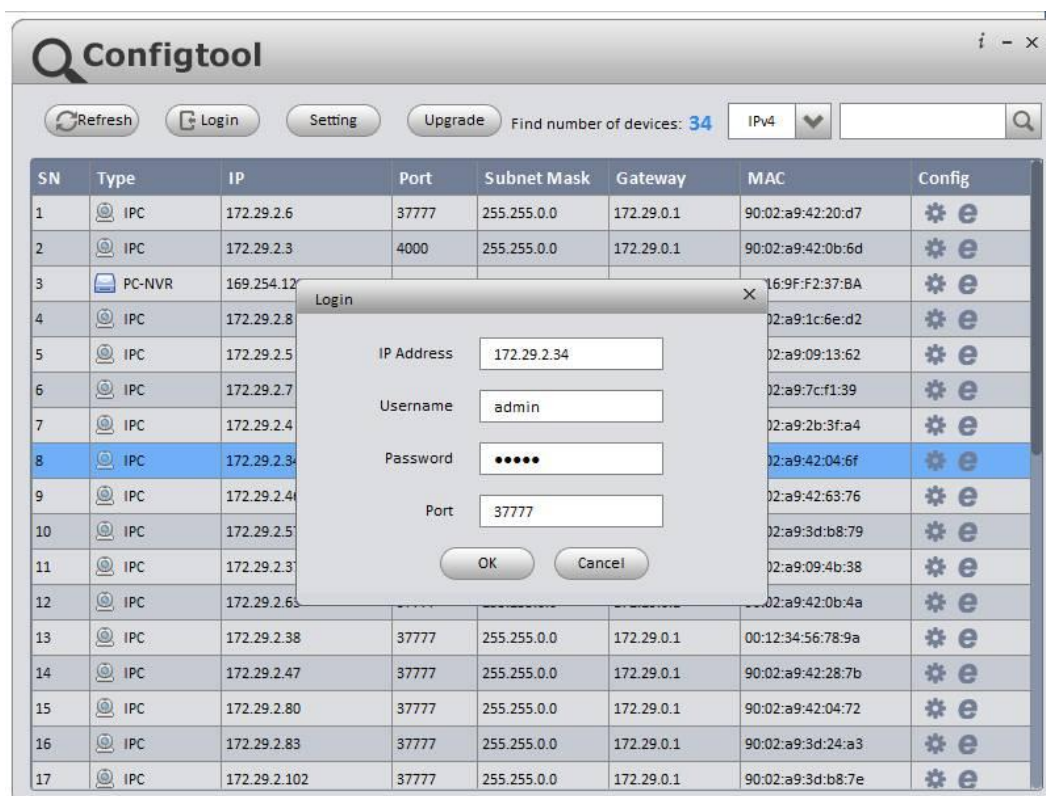


Figure 3-1

Step 3 Modify the camera IP address on the “Net” interface, click “Save” to finish modification. See Figure 3-2 for more details.

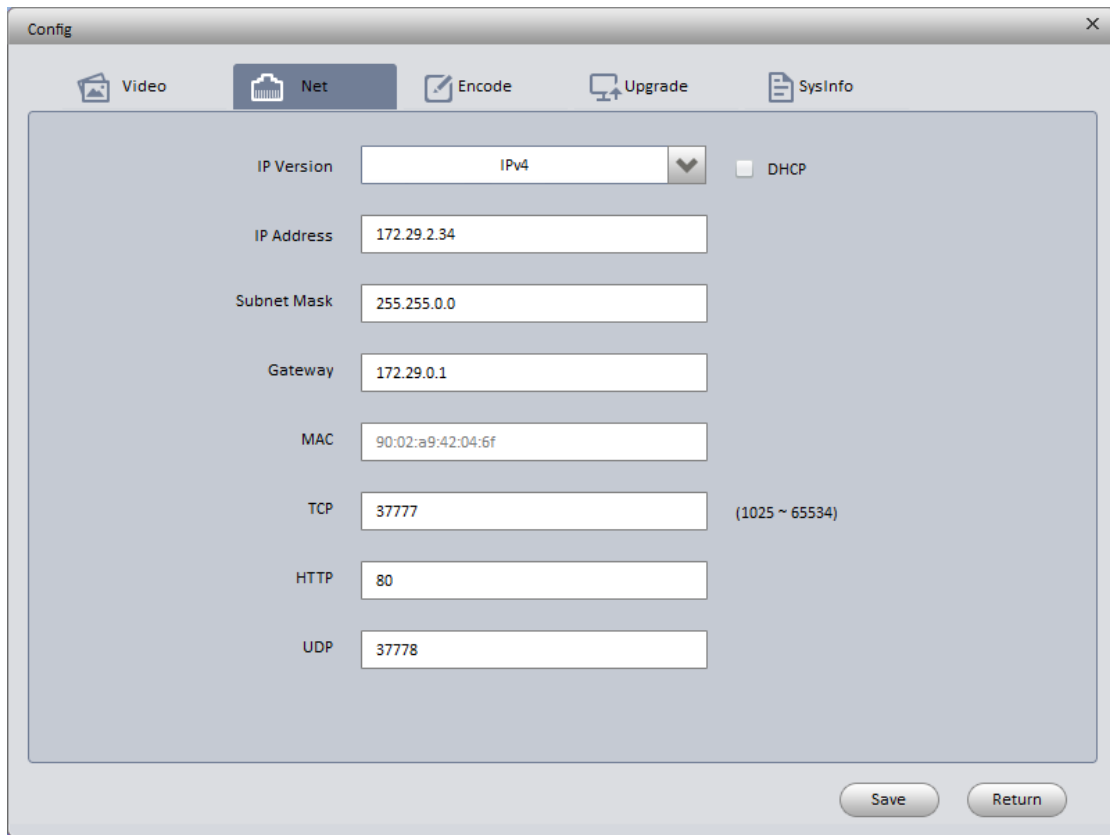


Figure 3-2

## 3.2 Login WEB Interface

Note:

Different devices may have different WEB interfaces, the figures below are just for reference, please refer to the document <<WEB Operation Manual>> in the disk and the actual interface for more details

Step 1 Open IE and input the modified camera IP address in the address bar.

Step 2 The login interface is shown below, please input your user name and password (Default user name is admin and password is admin respectively), click “login”.

See Figure 3-3 for more details.



Figure 3-3

Step 3 Install controls according to the system prompt; see Figure 3-4 for the WEB main interface. Please modify the administrator password as soon as possible after you successfully logged in.

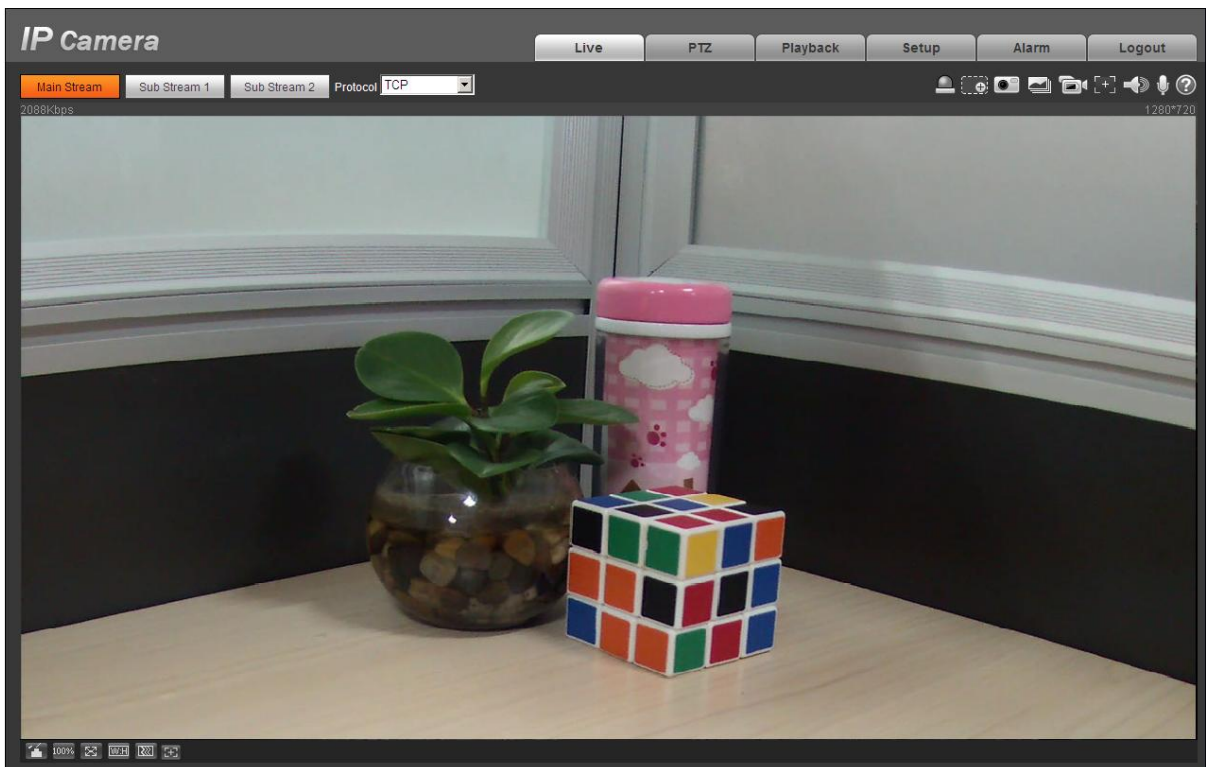


Figure 3-4

**Note**

- **This user's manual is for reference only. Slight difference may be found in user interface.**
- **All the designs and software here are subject to change without prior written notice.**
- **All trademarks and registered trademarks mentioned are the properties of their respective owners.**
- **If there is any uncertainty or controversy, please refer to the final explanation of us.**
- **Please visit our website for more information.**