

NVR-M704GC

4 Channel 3G GPS PoE Mobile Network Video Recorder



- 4 PoE Ports
- Max 120FPS@1080
- GPS/3G
- Up to 2 SATA HDs

System Overview

Rugged and robust, with a vibration dampening design, this mobile series of NVRs is specifically engineered for installation in ships, cars, trucks, and other 'rough-and-tumble' environments. The mobile NVR utilizes 2 'laptop' grade HDD in conjunction with a vibration dampening drive cradle, to create a rugged mobile video recording solution.

Anti-vibration

Using a shock-absorbing material and a newly-designed structure, the hard disk enclosure can withstand varying degrees of vibration, allowing normal operation in the most extreme mobile applications.

Wide Range Power Supply

The mobile NVR accepts a wide voltage range (6 VDC to 36 VDC) to accommodate the voltage output from a vehicle battery. The voltage range protects the NVR from fluctuating power output from the vehicle battery during operation.

3G

Embedded with an optional 3G module, the mobile NVR can register into a public network, connect with a VMS, and transmit video, audio, alarm, and GPS information through a wireless network.

GPS

The mobile NVR offers an optional embedded GPS module that receives location information and uploads the vehicle's position to a VMS. The VMS can plot the position on a map so the position and the path of vehicle can be monitored.

Multiple ports

The mobile NVR supports CAN, RS232, RS485, and I/O ports to connect the recorder to accessories, such as card readers, fuel sensors, and emergency buttons. This information, along with video, audio, alarm, and location information can be uploaded to a VMS.

Technical Specification

System

Main Processor	Embedded microprocessor
Operating System	Embedded LINUX

Video

Input	4 channel
Standard	NTSC, PAL

Audio

Input	4 channel, BNC
Output	1 channel, BNC
Two-way Talk	1 channel Input, 1 channel Output (aviation connector)

Display

Interface	1 VGA, 2 TV
Resolution	1920x1080, 1280x1024, 1280x720, 1024x768
Display Split	1/4
OSD	Camera title, Time, Video loss, Camera lock, Motion detection, Recording

Recording

Video/Audio Compression	H.264 / MJPEG
Image Resolution	1080P (1920x1080) / 720P (1280x720) / D1 (704x576/704x480)
Record Rate	100/120fps@1080P
Bit Rate	48~8192Kb/s
Record Mode	Manual, Schedule(Regular(Continuous), MD, Alarm), Stop
Record Interval	1~120 min (default: 60 min), Pre-record: 1~30 sec, Post-record: 10~300 sec

Video Detection & Alarm

Trigger Events	Recording, PTZ, Tour, Alarm, Email, FTP, Buzzer & Screen tips
Video Detection	Motion Detection, MD Zones: 396 (22x18), Video Loss & Camera Blank
Alarm Input	8 channel
Relay Output	3 channel

Playback & Backup

Sync Playback	1/4
Search Mode	Time/Date, Alarm, MD & Exact search (accurate to second), Smart search
Playback Functions	Play, Pause, Stop, Rewind, Fast play, Slow play, Next file, Previous file, Next camera, Previous camera, Full screen, Repeat, Shuffle, Backup selection, Digital zoom
Backup Mode	USB Device / Network

Network

Ethernet	RJ-45 port (10/100M/1000M)
Wireless Network	Built-in 3G
GPS	Built-in highly accurate GPS module
Network Functions	HTTP, IPv4, TCP/IP, RTSP, UDP, SMTP, NTP, DHCP, DNS, DDNS, FTP, IP Filter
Max. User Access	10 users
Smart Phone	Android, iOS, iPhone

Storage

Internal HDD	2 SATA ports
HDD Mode	Single
External HDD	1 eSATA port
Memory Slot	SD card, Max 32GB

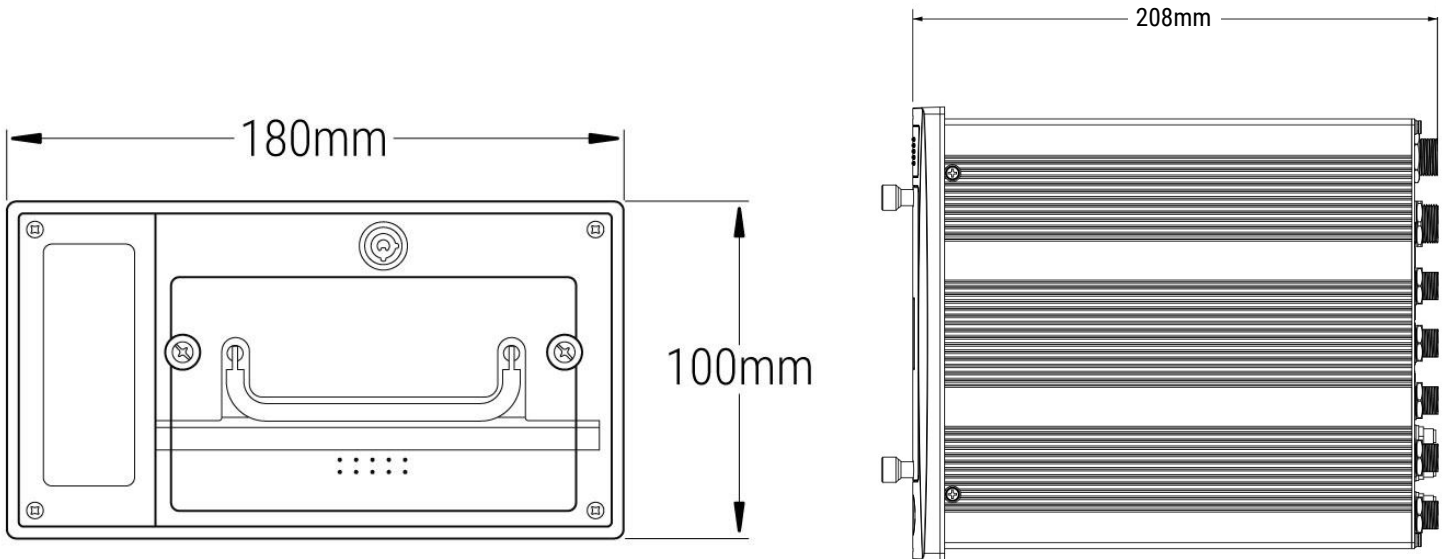
Auxiliary Interface

USB	2 ports (1 Rear), USB2.0
RS232	1 port
RS485	1 port

General

Power Supply	NVR: 6V~36V
Power Consumption	<10W
Working Environment	14°F ~ 131°F/-10°C ~ 55°C / 10~90% RH / 86~106kpa
Dimensions (WxDxH)	7.09"x8.19"x3.94"/180mmx208mmx100mm
Weight	6.61lbs/3kg (without HDD)

Dimensions (mm/in)



Panels

