

MNT-ARM-MPB300S

Wall Arm Mount

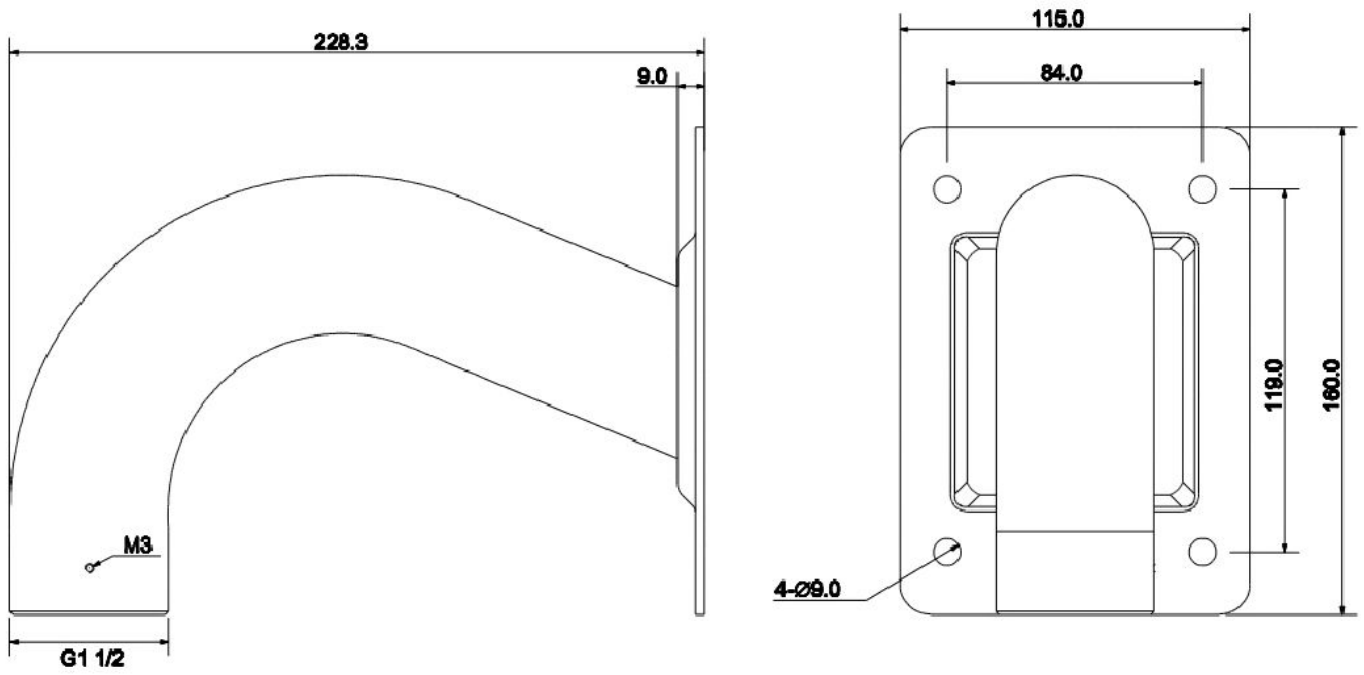


- Aesthetic design
- Material: Aluminum
- Fits 1.3MP & 2.0MP DVIR cameras, P2000M4 and N23X4-D cameras.

Technical Specification

Model	MNT-ARM-MPB300S
Physical Properties	
Material	Aluminum
Dimension(W xH xD)	8.9"×4.52"×6.30" (228mm×115mm×160mm)
Weight	0.5kg (1.1lb)
Load Bearing	3.0kg (6.6lb)
Color	White
Operating Temperature	40°C~60°C(-40°F~140°F)
Humidity	0~90% RH
Inch Thread	G1 1/2"
Applicable Models:	Fits 1.3MP & 2.0MP DVIR cameras, P2000M4 and N23X4-D cameras.

Dimensions (mm/in)



Application

