

IPEL-D40V-IRW1

4MP WDR IR Dome Network Camera



- 1/3" 4 Megapixel progressive CMOS
- H.265 & H.264 triple-stream encoding
- 25/30fps@4Mp(2688x1520)
- WDR(120dB), Day/Night(ICR), 3DNR, AWB, AGC, BLC
- 2.7mm ~13.5mm motorized lens
- Max IR LEDs Length 50m
- Micro SD memory, IP67, IK10, PoE+, ePoE support

System Overview

Bigger is better, at least with image sensors!

The IPEL-D40V-IRW1 is a 4MP dome camera featuring our latest generation of 1/3" CMOS sensors. It adopts our vandal proof dome style housing, and supports IR illumination up to 150'. The camera also features ePoE support, IP67 and IK10 protection.

Due to the larger image sensor, this camera supports a large dynamic range (120dB), and is a true WDR camera. On top of the image sensor sits a motorized, 2.7mm-13.5mm lens which offers up a 106-31 degree horizontal field of view. The zoom level is fully controllable directly from the camera interface, enabling you to obtain the perfect shot. This makes the camera well suited for exterior applications on commercial as well as residential installations.

Functions

ePoE technology

ePoE technology adopts advanced 2D-PAM3 coding modulation from the physical layer and realizes full duplex transmission over 800 meters at the speed of 10Mbps, or 300 meters at the speed of 100Mbps via Cat 5 or coaxial cable media. It supports PoE and PoC power supply technology, which has greatly simplified construction and wiring. ePoE technology offers a new way to accomplish long distance transmission between IP cameras and network switches. It allows for a more flexible surveillance system design, improves reliability, and saves on construction and wiring costs.

Wide Dynamic Range

The camera achieves vivid images, even in the most intense contrast lighting conditions, using industry-leading wide dynamic range (WDR) technology. For applications

with both bright and low lighting conditions that change quickly, true WDR (120 dB) optimizes both the bright and dark areas of a scene at the same time to provide usable video.

Intelligent Video System (IVS)

With built-in intelligent video analytics, the camera has the ability to detect and analyze moving objects for improved video surveillance. The camera provides optional standard intelligence at the edge allowing detection of multiple object behaviors such as abandoned or missing objects. IVS also supports Tripwire analytics, allowing the camera to detect when a predetermined line has been crossed, ideal for business intelligence, workforce optimization, and actionable intelligence.

Protection(IP67, IK10, wide voltage)

The camera allows for $\pm 30\%$ input voltage tolerance, suitable for the most unstable conditions for outdoor applications. Its 6KV lightning rating provides effective protection for both the camera and its structure against lightning. Subjected and certified to rigorous dust and immersion tests (IP67) and impact tests (IK10), the camera is the choice for installation in even the most unforgiving environments.

Smart H.265+

Smart H.265+ is the optimized implementation of the H.265 codec that uses a scene-adaptive encoding strategy, dynamic GOP, dynamic ROI, flexible multi-frame reference structure and intelligent noise reduction to deliver high-quality video without straining the network. Smart H.265+ technology reduces bit rate and storage requirements by up to 70% when compared to standard H.265 video compression.

Technical Specification

Camera

Image Sensor	1/3" 4 Megapixel progressive CMOS
Effective Pixels	2688(H) x1520(V)
RAM/ROM	512MB/32MB
Scanning System	Progressive
Electronic Shutter Speed	Auto/Manual, 1/3~1/100000s
Minimum Illumination	0.03Lux/F1.4 (Color,1/3s,30IRE) 0.3Lux/F1.4 (Color,1/30s,30IRE) 0Lux/F1.4(IR on)
S/N Ratio	More than 50dB
IR Distance	Distance up to 50m (164ft)
IR On/Off Control	Auto / Manual
IR LEDs	3

Lens

Lens Type	Motorized			
Mount Type	Board-in			
Focal Length	2.8mm~13.5mm			
Max. Aperture	F1.4			
Angle of View	H: 106°~31°, V:58°~17°			
Optical Zoom	5x			
Focus Control	Motorized			
Close Focus Distance	0.3m			
DORI Distance	Detect	Observe	Recognize	Identify
	210ft	85ft	42ft	21ft
	682ft	272ft	136ft	68ft

Pan/Tilt/Rotation

Pan/Tilt/Rotation Range	Pan:0°~355°; Tilt:0°~65°; Rotation:0°~355°
-------------------------	--

Intelligence

IVS	Tripwire, Intrusion, Object Abandoned/Missing
Advanced Intelligent Functions	Face Detection

Video

Compression	H.265+/H.265/H.264+/H.264
Streaming Capability	3 Streams
Resolution	4M(2688x1520)/3M(2304x1296)/ 1080P(1920x1080)/ 1.3M(1280x960)/720P(1280x720)/D1(704x576/704x480)/ VGA(640x480)/CIF(352x288/352x240)
Frame Rate	Main Stream: 4M(1~25/30fps)
	Sub Stream: D1(1~25/30fps)
	Third Stream: 720P(1~25/30fps)
Bit Rate Control	CBR/VBR
Bit Rate	H.264: 24~10240Kbps H.265: 14~9984Kbps
Day/Night	Auto(ICR) / Color / B/W
BLC Mode	BLC / HLC / WDR(120dB)
White Balance	Auto/Natural/Street Lamp/Outdoor/Manual
Gain Control	Auto / Manual
Noise Reduction	3D DNR

Motion Detection	Off / On (4 Zone, Rectangle)
Region of Interest	Off / On (4 Zone)
Electronic Image Stabilization (EIS)	N/A
Smart IR	Support
Defog	N/A
Digital Zoom	16x
Flip	0°/90°/180°/270°
Mirror	Off / On
Privacy Masking	Off / On (4 Area, Rectangle)

Audio

Compression	G.711a/ G.711Mu/ AAC/ G.726
-------------	-----------------------------

Network

Ethernet	RJ-45 (10/100Base-T)
Protocol	HTTP; HTTPS; TCP; ARP; RTSP; RTP; UDP; SMTP; FTP; DHCP; DNS; DDNS; PPPOE; IPv4/v6; QoS; UPnP;NTP; Bonjour; 802.1x; Multicast; ICMP; IGMP; SNMP
Interoperability	ONVIF, PSIA, CGI
Streaming Method	Unicast / Multicast
Max. User Access	10 Users /20 Users
Edge Storage	NAS Local PC for instant recording Micro SD card 128GB
Web Viewer	IE, Chrome, Firefox, Safari
Management Software	SmartICRSS, DSS
Smart Phone	IOS, Android

Certifications

Certifications	CE (EN 60950:2000) UL:UL60950-1 FCC: FCC Part 15 Subpart B
----------------	--

Interface

Video Interface	1 Port(For adjustment only)
Audio Interface	1/1 channel In/Out
RS485	N/A
Alarm	1 channel In: 5mA 5VDC 1 channel Out: 300mA 12VDC

Electrical

Power Supply	DC12V, AC24V, PoE+(802.3at)(Class 4)
ePOE	Support

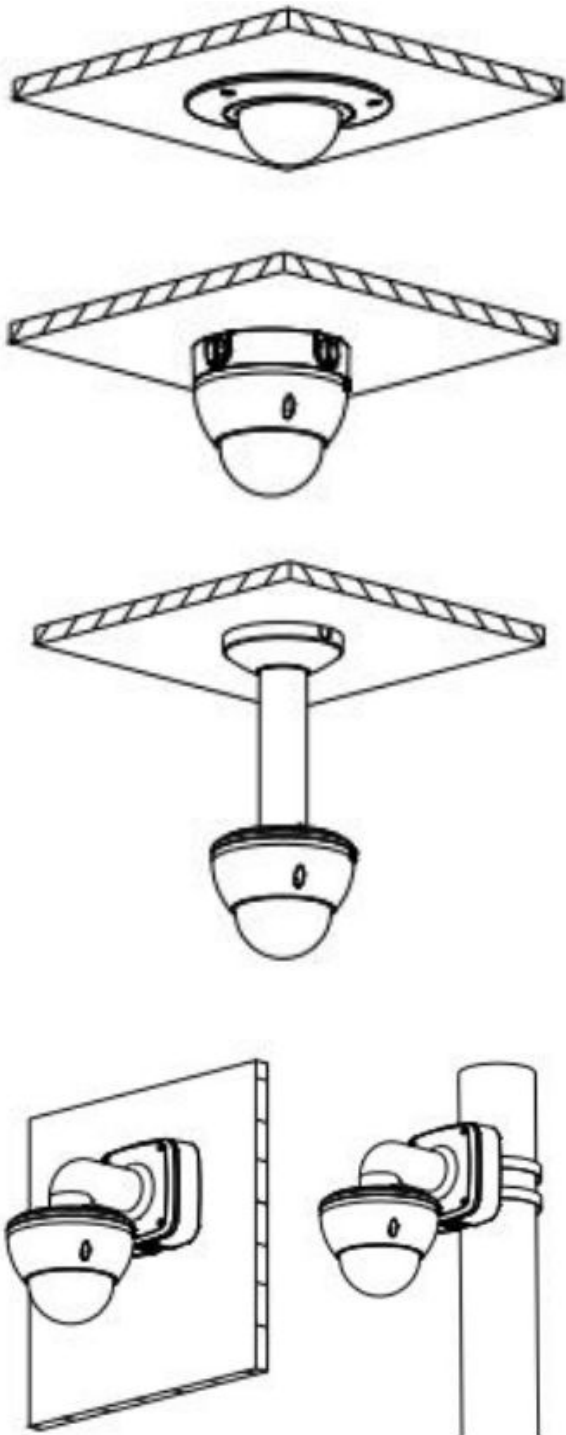
Environmental

Operating Conditions	-30° C ~ +60° C (-22° F ~ +140° F) / Less than 95% RH
Storage Conditions	-30° C ~ +60° C (-22° F ~ +140° F) / Less than 95% RH
Ingress Protection	IP67
Vandal Resistance	IK10

Construction

Casing	Metal
Dimensions	159.1mm×117.9mm (6.26"×4.64")
Net Weight	0.95kg (2.09lb)
Gross Weight	1.20kg (2.65lb)

Accessories



Dimensions (mm/in)

