

# IPEG-B20V-IRW1

2MP IR Bullet Network Camera



- 1/2.9" 2 Megapixel progressive CMOS
- H.265+ & H.265 dual-stream encoding 25/30fps@1080P(1920x1080)
- Day/Night(ICR), 3DNR, AWB, AGC, BLC
- Micro SD card slot, up to 128GB
- 2.7~12mm varifocal lens
- Max IR LEDs Length 197 feet
- IP67, PoE

## System Overview

A favorite powered zoom bullet camera, now available in the EDGE lineup - the IPEG-B40V-IRW1.

The IPEG-B40V-IRW1 is a 2MP Day/Night with a 2.7mm ~ 12mm varifocal lens. The camera itself supports dual H.265/ H.264 compression and True Day/Night viewing at up to 197 feet. It's IP67 weather rated as well as PoE.

\*All Edge series products come with a 3 year limited warranty

## Functions

### Protection (IP67, IK10, wide voltage)

The camera allows for  $\pm 30\%$  input voltage tolerance, suitable for the most unstable conditions for outdoor applications. Its 6KV lightning rating provides effective protection for both the camera and its structure against lightning. Subjected and certified to rigorous dust and immersion tests (IP67) and impact tests (IK10), the camera is the choice for installation in even the most unforgiving environments

### Smart H.265+

Smart H.265+ is the optimized implementation of the H.265 codec that uses a scene-adaptive encoding strategy, dynamic GOP, dynamic ROI, flexible multi-frame reference structure and intelligent noise reduction to deliver high-quality video without straining the network. Smart H.265+ technology reduces bit rate and storage requirements by up to 70% when compared to standard H.265 video compression.

### Environmental

Cameras operate in extreme temperature environments, rated for use in temperatures from  $-40^{\circ}\text{C}$  to  $+60^{\circ}\text{C}$  ( $-40^{\circ}\text{F}$  to  $+140^{\circ}\text{F}$ ) with 95% humidity.

### Interoperability

The camera conforms to the ONVIF (Open Network Video Interface Forum) specifications, ensuring interoperability between network video products regardless of manufacturer.

## Technical Specification

### Camera

Image Sensor	1/2.9" 2 Megapixel progressive CMOS
Effective Pixels	1920(H)x1080(V)
Scanning System	Progressive
Electronic Shutter Speed	Auto/Manual, 1/3(4)~1/100000s
Minimum Illumination	0.01Lux/F1.4 (Color) 0Lux/F1.4(IR on)
S/N Ratio	More than 50dB
IR Distance	Distance up to 60m (197ft)
IR On/Off Control	Auto / Manual
IR LEDs	4

### Lens

Lens Type	Motorized			
Mount Type	Board-in			
Focal Length	2.7mm~12mm			
Max. Aperture	F1.4			
Angle of View	H:104°~28°, V:55°~16°			
Optical Zoom	5x			
Focus Control	Motorized			
Close Focus Distance	0.2m			
DORI Distance	Detect	Observe	Recognize	Identify
	216ft	26ft	13ft	21ft
	656ft	262ft	131ft	65ft

### Pan/Tilt/Rotation

Pan/Tilt/Rotation Range	Pan:0° ~355° ;Tilt:0° ~75° ;Rotation:0° ~355°
-------------------------	---

### Video

Compression	H.265+/ H.265/ H.264+/ H.264
Streaming Capability	2 Streams
Resolution	1080P(1920x1080)/1.3M(1280x960)/720P(1280x720) /D1(704x576/704x480)/CIF(352x288/352x240)
Frame Rate	Main Stream: 1080P/960P/720P(1 ~ 25/30fps)
	Sub Stream: D1/CIF(1 ~ 25/30fps)
Bit Rate Control	CBR/VBR
Bit Rate	H.264: 3K ~ 8192Kbps H.265: 3K ~ 8192Kbps
Day/Night	Auto(ICR) / Color / B/W
BLC Mode	BLC / HLC / DWDR
White Balance	Auto/Natural/Street Lamp/Outdoor/Manual
Gain Control	Auto / Manual
Noise Reduction	3D DNR

Motion Detection	Off / On (4 Zone, Rectangle)
Region of Interest	Off / On (4 Zone)
Electronic Image Stabilization (EIS)	N/A
Smart IR	Support
Defog	N/A
Digital Zoom	16x
Flip	0°/90°/180°/270°
Mirror	Off / On
Privacy Masking	Off / On (4 Area, Rectangle)

### Audio

Compression	N/A
-------------	-----

### Network

Ethernet	RJ-45 (10/100Base-T)
Protocol	HTTP; HTTPS; TCP; ARP; RTPSP; RTP; UDP; SMTP; FTP; DHCP; DNS; DDNS; PPPOE; IPv4/v6; QoS; UPnP;NTP; Bonjour; 802.1x; Multicast; ICMP; IGMP; SNMP
Interoperability	ONVIF, PSIA
Streaming Method	Unicast / Multicast
Max. User Access	10 Users /20 Users
Edge Storage	NAS Local PC for instant recording Micro SD card 128GB
Web Viewer	IE, Chrome, Firefox, Safari
Management Software	SmartICRSS, DSS
Smart Phone	IOS, Android

### Certifications

Certifications	CE: (EN 60950:2000); FCC: FCC Part 15 Subpart B
----------------	--

### Interface

Video Interface	N/A
Audio Interface	N/A
RS485	N/A
Alarm	N/A

### Electrical

Power Supply	DC12V, PoE (802.3af)(Class 0)
Power Consumption	Max 9W

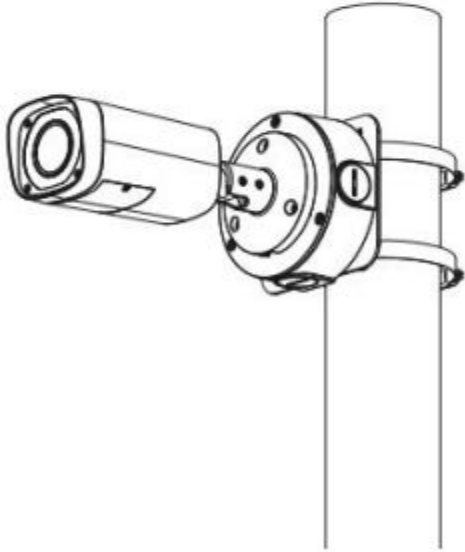
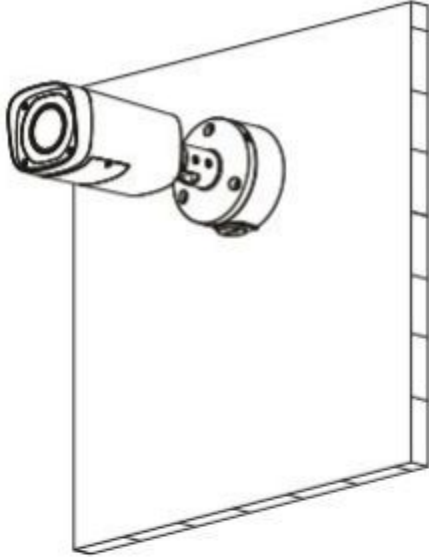
### Environmental

Operating Conditions	-30° C ~ +60° C (-22° F ~ +140° F) / Less than 95% RH
Storage Conditions	-30° C ~ +60° C (-22° F ~ +140° F) / Less than 95% RH
Ingress Protection	IP67

### Construction

Casing	Metal
Dimensions	122mm×88.9mm(4.80"×3.50")
Net Weight	0.4Kg (0.88lb)
Gross Weight	0.58Kg(1.28lb)

Accessories



Dimensions (mm/in)

