

ICIP-S565-P

960H Box Style Network Camera



- 1/3" 540TVL SONY Super HAD CCD image sensor
- H.264E video compression and Dual-stream encoding
- 30fps at D1/HD1/CIF/VGA resolution
- Max 32GB Hot-swappable SD card for local storage

System Overview

The ICIP565 Box style IP camera comes with a Multi-zone video detection and privacy masking, H.264E video compression and Dual-stream encoding, a SD card slot with a maximum of 32GB local storage. The ICIP565 requires CS-mount lens.

Functions

H264

Like all IC Realtime series products, this device utilizes H.264E (Enhanced H.264) compression technology, enabling crisp image viewing with the least bandwidth consumption possible. This unit adopts an embedded system design, as well as a Linux Operating System, resulting in high levels of stability, performance, and most importantly: reliability. In addition, this unit is fully operational from remote locations (Search / Playback / Backup / Configuration) over standard Ethernet networks.

Environmental

With a temperature range of -25 °C to +60 °C (-14 °F to +140 °F), the camera is designed for extreme temperature environments.

Advanced 3DNR

3DNR is noise reduction technology that detects and eliminates random noises by comparing two sequential frames. IC Realtime's advanced 3DNR technology allows remarkable noise reduction with little impact to sharpness, especially under limited lighting conditions. 3DNR also effectively decreases the required bandwidth and helps lower storage space requirements.

Technical Specification

Camera

Image Sensor	1/3" 540TVL SONY Super HAD CCD
Effective Pixels	1280(H)×960(V)
Scanning System	Progressive
Electronic Shutter Speed	Auto/Manual, 1/50~1/10000s
Minimum Illumination	0.1LUX/F1.2
S/N Ratio	More than 50dB
IR Distance	N/A
IR On/Off Control	N/A
IR LEDs	N/A

Lens

Lens Type	Fixed
Mount Type	Board-in
Optical Zoom	N/A
Focus Control	Fixed
Close Focus Distance	N/A

Intelligence

IVS	N/A
Advanced Intelligent Functions	N/A

Video

Compression	H.264E
Streaming Capability	2 Streams
Resolution	D1(704x576) / HD1(352x576) / CIF(352x288) / QCIF(176x144) / VGA(640x480) / QVGA(320x240) / QQVGA(160x128)
Frame Rate	Main Stream: D1/HD1/CIF/QCIF/VGA(1~25fps) Extra Stream: D1/HD1/CIF/QCIF/VGA/QVGA/QQVGA(1~25fps) N/A
Bit Rate Control	CBR/VBR
Bit Rate	H264:32K ~ 8Mbps
Day/Night	Auto(ICR) / Color / B/W
BLC Mode	BLC / HLC / DWDR
White Balance	Auto/Natural/Street Lamp/Outdoor/Manual
Gain Control	Auto / Manual
Noise Reduction	3D DNR
Motion Detection	Off / On (4 Zone, Rectangle)
Region of Interest	Off / On (4 Zone)

Electronic Image Stabilization (EIS)	N/A
Smart IR	N/A
Defog	N/A
Digital Zoom	16x
Mirror	Off / On
Privacy Masking	Off / On (4 Area, Rectangle)

Audio

Compression	PCM(64Kbps) / G.711a(32Kbps) / AMR(10.2Kbps)
-------------	----------------------------------------------

Network

Ethernet	RJ-45 (10/100Base-T)
Protocol	HTTP;HTTPS;TCP;ARP;RTSP;RTP;UDP;SMTP;FTP;DHCP;DNS;DDNS;PPPOE;IPv4/v6;QoS;UPnP;NTP;Bonjour;802.1x;Multicast;ICMP;IGMP
Interoperability	ONVIF, PSIA, CGI
Streaming Method	Unicast / Multicast
Max. User Access	10 Users/20 Users
Edge Storage	NAS(Network Attached Storage) Local PC for instant recording
Web Viewer	IE, Chrome, Firefox, Safari
Management Software	SmartICRSS, DSS
Smart Phone	IOS, Android

Interface

Video Interface	N/A
Audio Interface	1 channel 3.5mm Jack Mic in; 1 channel 3.5mm Jack Speak out
RS485	N/A
Alarm	N/A

Electrical

Power Supply	DC12V, PoE (802.3af)(Class 0)
Power Consumption	5W

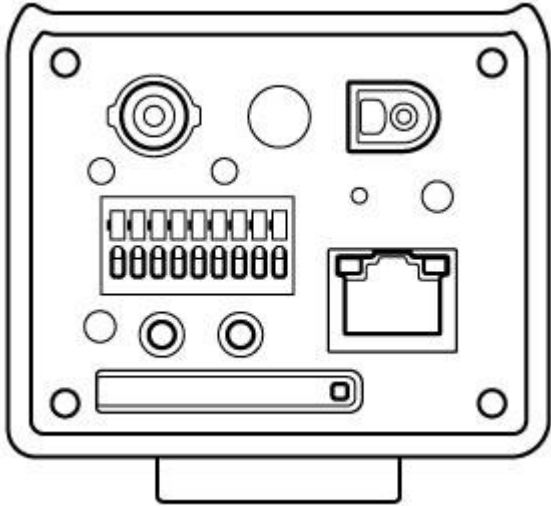
Environmental

Operating Conditions	-25° C ~ +60° C (-14° F ~ +140° F) / Less than 90% RH
Storage Conditions	-25° C ~ +60° C (-14° F ~ +140° F) / Less than 90% RH
Ingress Protection	N/A
Vandal Resistance	N/A

Construction

Casing	Metal
Dimensions	Φ58mm×69mm×139mm(2.28"x2.71"x5.47")
Weight	0.65Kg(1.43lb)

Rear Panel



Dimensions (mm/in)

