

ICIP-P4030HD-IR

4MP 30x Optical Zoom PTZ Network Camera



- 1/3" 4MP CMOS
- Powerful 30x optical zoom
- H.265 Encoding
- Max. 30fps@4MP / 3MP, 30 / 60fps@1080P
- Auto-tracking and IVS
- IR distance up to 328' / 100m
- IP66

System Overview

A new, and sleek designed PTZ, with the critically acclaimed Advanced Intelligence Video Analytics - the ICIP-P4030HD-IR PTZ camera.

This camera is a fully weatherproof, day/night, high resolution IP camera. This PTZ adopts a unique design by physically separating the IR LEDs from the camera block itself, resulting in perfect night time imaging without causing issues such as IR reflection. The optics on this camera are a 30X powered zoom (4.5 - 135MM), delivering a crystal clear 4 Megapixel image. 0 lux is not a problem for this camera, as the high intensity IR LED's are capable of illumination at distances up to 450'.

This camera itself is ONVIF Profile S compliant, and can work as a standalone camera, or in conjunction with an NVR to achieve longer recording durations. By complying with ONVIF specifications, this device is also well suited to integrate with a wide array of VMS.

Functions

Wide Dynamic Range

The camera achieves vivid images, even in the most intense contrast lighting conditions, using industry-leading wide dynamic range (WDR) technology. For applications with both bright and low lighting conditions that change quickly, True WDR (120 dB) optimizes both the bright and dark areas of a scene at the same time to provide usable video.

Auto-tracking

This feature controls the pan/tilt/zoom actions of the camera to automatically track an object in motion and to keep it in the scene. The tracking action can be triggered manually or automatically by defined rules. Once a rule is triggered, the camera can zoom in and track the defined target automatically.

Smart H.265+

Smart H.265+ is the optimized implementation of the H.265 codec that uses a scene-adaptive encoding strategy, dynamic GOP, dynamic ROI, flexible multi-frame reference structure and intelligent noise reduction to deliver high-quality video without straining the network. Smart H.265+ technology reduces bit rate and storage requirements by up to 70% when compared to standard H.265 video compression.

PFA Technology

PFA technology has innovatively introduced new methods of judgment to ensure the accuracy and predictability of the direction of subject distance adjustment. The result is a set of advanced focusing algorithms. PFA ensures clarity of the image throughout the process of zooming and shortens focus time. The realization of PFA technology substantially improves user experience and increases product value.

Environmental

With a temperature range of -40 °C to +60 °C (-40 °F to +140 °F), the camera is designed for extreme temperature environments. Subjected and certified to rigorous dust and water immersion tests, the IP67 rating makes it suitable for demanding outdoor applications.

Protection

The camera allows for ±10% input voltage tolerance, suitable for the unstable conditions for outdoor applications. Its 6KV lightning rating provides effective protection for both the camera and its structure against lightning.

Interoperability

The camera conforms to the ONVIF (Open Network Video Interface Forum) specifications, ensuring interoperability between network video products regardless of manufacturer.

Technical Specification

Camera

Image Sensor	1/3" CMOS
Effective Pixels	2592(H) x 1520(V), 4 Megapixels
RAM/ROM	1024M/128M
Scanning System	Progressive
Electronic Shutter Speed	1/1s~1/30,000s
Minimum Illumination	Color: 0.05Lux@F1.6; B/W: 0.005Lux@F1.6; 0Lux@F1.6 (IR on)
S/N Ratio	More than 56dB
IR Distance	Distance up to 100m (328ft)
IR On/Off Control	Auto / Manual
IR LEDs	6
Wiper	N/A

Lens

Lens Type	4.5mm~135mm			
Max. Aperture	F1.6 ~ F4.4			
Angle of View	H: 60° ~ 2.2°			
Optical Zoom	30x			
Focus Control	Auto/Manual			
Close Focus Distance	100mm~ 1000mm			
DORI Distance	Detect	Observe	Recognize	Identify
	2700m	1080m	540m	270m
	8858ft	3543ft	1772ft	886ft

PTZ

Pan/Tilt Range	Pan: 0° ~ 360° endless; Tilt: -15° ~ 90°, auto flip 180°
Manual Control Speed	Pan: 0.1° ~160° /s; Tilt: 0.1° ~120° /s
Preset Speed	Pan: 240° /s; Tilt: 200° /s
Presets	300
PTZ Mode	5 Pattern, 8 Tour, Auto Pan ,Auto Scan
Speed Setup	Human-oriented focal Length/ speed adaptation
Power up Action	Auto restore to previous PTZ and lens status after power failure
Idle Motion	Activate Preset/ Scan/ Tour/ Pattern if there is no command in the specified period
Protocol	ICR-SD, Pelco-P/D (Auto recognition)

Intelligence

Event Trigger	Motion detection, Video tampering , Scene changing, Network disconnection, IP address conflict, Illegal Access, Storage anomaly
Auto Tracking	Support
IVS	Tripwire, Intrusion, Object Abandoned/Missing
Advanced Intelligent Functions	Face Detection, Heat Map

Video

Compression	H.265+/H.265/H.264+/H.264
Streaming Capability	3 Streams
Resolution	4M(2592x1520)/3M(2304x1296)/1080P(1920x1080)/720P(1280x720)/D1(704x480)/CIF(352x240)
Frame Rate	Mainstream: 4M/3M(1~25/30fps), 1080P/1.3M/720P(1~50/60fps)
	Sub stream1: D1/CIF(1 ~ 25/30fps)
	Sub stream2: 1080P/1.3M/720P/D1/CIF (1~25/30fps)

Bit Rate Control	CBR/VBR
Bit Rate	H.265/H.264: 448K ~ 8192Kbps
Day/Night	Auto(ICR) / Color / B/W
Backlight Compensation	BLC / HLC / WDR(120dB)
White Balance	Auto, ATW, Indoor, Outdoor, Manual
Gain Control	Auto / Manual
Noise Reduction	Ultra DNR (2D/3D)
Motion Detection	Support
Region of Interest	Support
Electronic Image Stabilization (EIS)	Support
Defog	Support
Digital Zoom	16x
Flip	180°
Privacy Masking	Up to 24 areas

Audio

Compression	G.711a/G.711Mu/AAC/G.722/G.726/G.729/ MPEG2-L2
-------------	--

Network

Ethernet	RJ-45 (10Base-T/100Base-TX)
Protocol	IPv4/IPv6, HTTP, HTTPS, SSL, TCP/IP, UDP, UPnP, ICMP, IGMP, SNMP, RTSP, RTP, SMTP, NTP,DHCP, DNS,PPPOE,DDNS,FTP, IP Filter,QoS,Bonjour,802.1x
Interoperability	ONVIF Profile S&G, CGI
Streaming Method	Unicast / Multicast
Max. User Access	20 users
Edge Storage	NAS (Network Attached Storage),Local PC for instant recording, Micro SD card 256GB
Web Viewer	IE, Chrome, Firefox, Safari
Management Software	SmartICRSS, DSS
Smart Phone	IOS, Android

Certifications

Certifications	CE: EN55032/EN55024/EN50130-4 FCC: Part15 subpartB,ANSI C63.4- 2014 UL: UL60950-1+CAN/CSA C22.2.No.60950-1
----------------	--

Interface

Video Interface	1 port(BNC, 1.0V[p-p], 75Ω)
Audio Interface	1/1 channel In/Out
RS485	1
Alarm I/O	2/1

Electrical

Power Supply	AC24V/3A(±10%)
Power Consumption	10.5W, 26W (IR on)

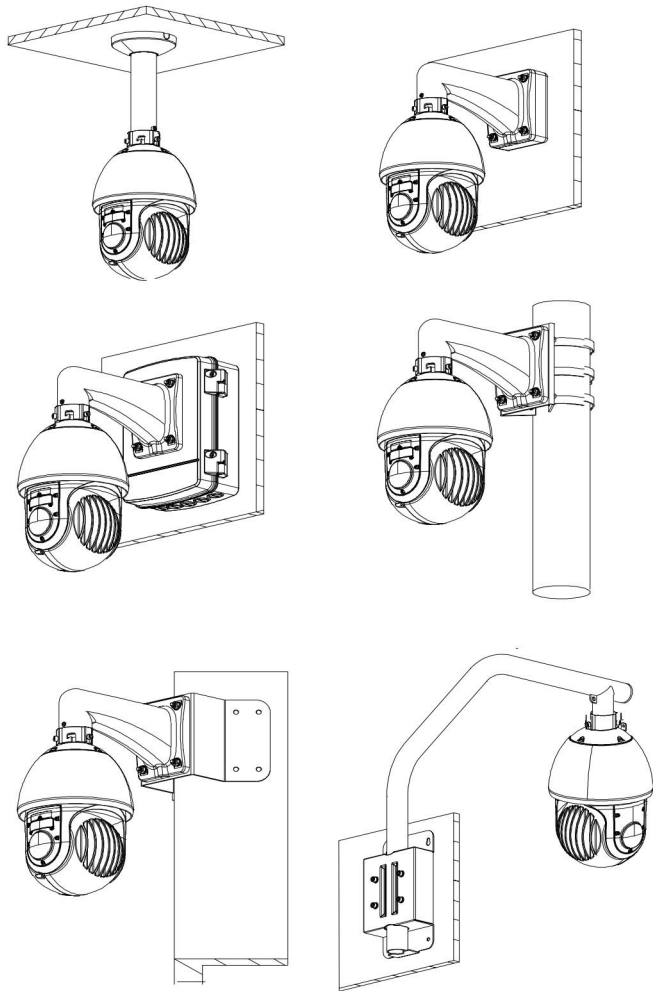
Environmental

Operating Conditions	-40° C ~ +60° C (-40° F ~ +140° F) / Less than 95% RH
Storage Conditions	-40° C ~ +60° C (-40° F ~ +140° F) / Less than 95% RH
Ingress Protection	IP66
Vandal Resistance	N/A

Construction

Casing	Metal
Dimensions	Φ205mm x 336mm(8.07"x13.23")
Net Weight	5kg (11.02lb)
Gross Weight	8.3kg (18.30lb)

Accessories



Dimensions (mm/in)

