



- 1/2.8" 3 Megapixel progressive scan STARVIS™ CMOS
- H.265&H.264 triple-stream encoding
- 50/60fps@3M(2048×1536)
- WDR(140dB), Day/Night(ICR), 3DNR,AWB,AGC,BLC
- 2.7mm ~13.5mm zoom lens
- Max. IR LEDs Length 50m
- Micro SD memory, IP67, IK10, PoE+

System Overview

When an entry level bullet camera just won't do – look no further than the ICIP-B3812SL5.

Taking aim at video with low light, the iSniper Gen2 series image sensor produces unparalleled levels of image sharpness, and full vibrant color in even the lowest lighting conditions.

This sleek indoor/outdoor IP Bullet camera packs some serious hardware. Powered by a large 1/2.8"CMOS i-Sniper sensor, this image sensor achieves maximum light gathering capability with image sharpness levels to match. Due to the large image sensor, the camera itself is able to remain in color (Day) mode longer than typical Day/Night cameras, and display full color video with only minimal lighting.

On top of the iSniper imager sits a motorized 2.7mm-13.5mm lens which provides anywhere from a 101 to 31 degree Field of View.

Functions

Starlight Technology

For challenging low-light applications, Starlight Ultra-low Light Technology offers best-in-class light sensitivity, capturing color details in low light down to 0.005lux. The camera uses a set of optical features to balance light throughout the scene, resulting in clear images in dark environments.

Ultra WDR

Standard WDR/HDR camera can provide 120 dB dynamic range. However, for some scenes with wider contrast range, 120dB is slightly insufficient. By adopting the latest technology, Cameras can provide an amazing dynamic range up to 140dB.

Advanced Intelligence (People Counting, Heatmap)

In addition to the basic IVS functions, such as Tripwires and Intrusion Zones, this camera also supports more advanced IVS solutions. Heat Maps will overlay different 'thermographic' colors depending on activity levels in a region ranging from blue to red, while People Counting is used to tally human traffic throughout a region of interest. People Counting and Heat Mapping provide essential analytic data for a variety of business applications by keeping track of key census and crowd density statistics.

Smart Scene Adaptive (SSA)

Smart Scene Adaptive (SSA) is an intelligent image technology, developed by that automatically evaluates and compensates for changes in the luminance of a scene. SSA automatically regulates the exposure parameters to improve image quality in a backlit scene, especially in scenes with traffic lights or headlights.

Smart Codec (H.265+ & H.264+)

Smart Codec is the optimized implementation of standard video compression (H.265 & H.264) that uses a scene-adaptive encoding strategy, dynamic GOP, dynamic ROI, flexible multi-frame reference structure and intelligent noise reduction to deliver high-quality video without straining the network. Smart Codec technology reduces bit rate and storage requirements by up to 70% when compared to the standard video compression.

Environmental & Protection

With a temperature range of -40 °C to +60 °C (-40 °F to +140 °F), the camera is designed for extreme temperature environments. Supporting ±25% input voltage tolerance, this camera suits even the most unstable conditions for outdoor applications. Its 6KV lightning rating provides effective protection for both the camera and its structure against lightning. Subjected and certified to rigorous dust and immersion tests (IP67) and impact tests (IK10), The camera complies with an IK10 impact rating making it capable of withstanding the equivalent of 5 kg (11.02 lbs) of force dropped from a height of 40 cm (15.75 in.)

Technical Specification

Camera

Image Sensor	1/2.8"3 Megapixel progressive scan CMOS
Effective Pixels	2048(H)x1536(V)
RAM/ROM	1024MB/128MB
Scanning System	Progressive
Electronic Shutter Speed	Auto/Manual, 1/3~1/100000s
Minimum Illumination	0.005Lux/F1.4 (Color,1/3s,30IRE) 0.03Lux/F1.4 (Color,1/30s,30IRE) 0Lux/F1.4(IR on)
S/N Ratio	More than 50dB
IR Distance	Distance up to 50m (164ft)
IR On/Off Control	Auto / Manual
IR LEDs	4

Lens

Lens Type	Motorized /Auto Iris(HALL)				
Mount Type	Board-in				
Focal Length	2.7~13.5mm motorized				
Max. Aperture	F1.4				
Angle of View	H: 99 °~28 ° V:67 ° ~21 °				
Optical Zoom	5x				
Focus Control	Motorized				
Predictive Focus Algorithm (PFA)	Support				
Close Focus Distance	0.3m(0.98ft)				
DORI Distance	Lens	Detect	Observe	Recognize	Identify
	W	177ft	72ft	36ft	16ft
	T	545ft	217ft	108ft	56ft

Pan/Tilt/Rotation

Pan/Tilt/Rotation Range	Pan:0°~360°; Tilt:0°~90°; Rotation:0°~360°
-------------------------	--

Intelligence

Event Trigger	Motion detection, Video tampering , Scene changing, Network disconnection , IP address conflict, Illegal Access,Storage anomaly
IVS	Tripwire, Intrusion, Object Abandoned/Missing
Advanced Intelligent Functions	Face Detection, People Counting, Heat Map

Video

Compression	H.265/H.264/H.264B/H.264H/MJPEG(Sub Stream)
Smart Codec	Support H.265+/H.264+
Streaming Capability	3 Streams
Resolution	3M(2048x1536)/ 1080P(1920x1080)/ 1.3M(1280x960)/ 720P(1280x720)/ D1(704x576/704x480)/ VGA(640x480)/ CIF(352x288/342x240)
Frame Rate	Main Stream: 3M(1~50/60fps) Sub Stream: D1 (1 ~ 50/60fps) Third Stream: 1080P(1~50/60fps)
Bit Rate Control	CBR/VBR
Bit Rate	H.264: 24~ 10240Kbps H.265: 14~ 9216Kbps
Day/Night	Auto(ICR) / Color / B/W
BLC Mode	BLC / HLC / WDR(140dB)/ SSA
White Balance	Auto / Natural / Street Lamp / Outdoor / Manual
Gain Control	Auto / Manual
Noise Reduction	3D DNR

Motion Detection	Off / On (4 Zone, Rectangle)
Region of Interest	Off / On (4 Zone)
Electronic Image Stabilization (EIS)	Support
Smart IR	Support
Defog	Support
Digital Zoom	16x
Flip	0° / 90° / 180° / 270°
Mirror	Off / On
Privacy Masking	Off / On (4 Area, Rectangle)

Audio

Compression	G.711a/G.711Mu/AAC/ G.726
-------------	---------------------------

Network

Ethernet	RJ-45 (100/1000Base-T)
Protocol	HTTP;HTTPS;TCP;ARP;RTSP;RTP;UDP;RTCP;SMTP; FTP;DHCP;DNS;DDNS;PPPOE;IPv4/v6;QoS;UPnP; NTP;Bonjour; IEEE 802.1x; Multicast; ICMP; IGMP; SNMP; TLS
Interoperability	ONVIF Profile S&G, API
Streaming Method	Unicast / Multicast
Max. User Access	10 Users /20 Users
Edge Storage	NAS Local PC for instant recording Micro SD card 128GB
Web Viewer	IE, Chrome, Firefox, Safari
Management Software	SmartICRSS, DSS
Smart Phone	IOS, Android

Certifications

Certifications	CE (EN 60950:2000); UL:UL60950-1 FCC: FCC Part 15 Subpart B
----------------	--

Interface

Video Interface	1 Port(For adjustment only)
Audio Interface	1/1 channel In/Out
RS485	N/A
Alarm	2 channel In: 5mA 5VDC 1 channel Out: 1A 30VDC / 0.5A 50VAC

Electrical

Power Supply	DC12V, PoE+(802.3at)(Class 4)
Power Consumption	<13W

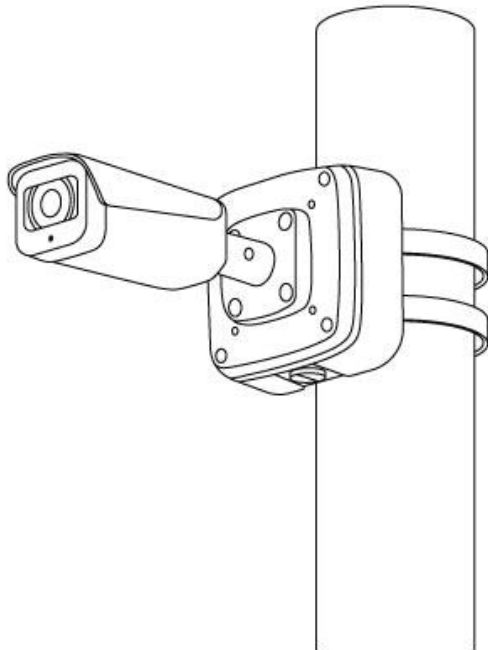
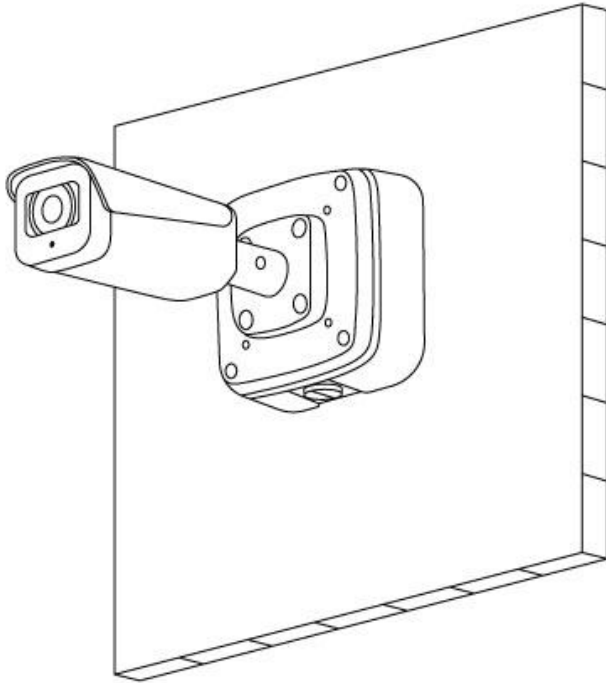
Environmental

Operating Conditions	-40° C ~ +60° C (-40° F ~ +140° F) / Less than 95% RH
Storage Conditions	-40° C ~ +60° C (-40° F ~ +140° F) / Less than 95% RH
Ingress Protection	IP67
Vandal Resistance	IK10

Construction

Casing	Metal
Dimensions	273.2mmx95.0mmx95.0mm (10.76"x3.74"x3.74")
Net Weight	1.12Kg (2.47lb)
Gross Weight	1.52Kg (3.35lb)

Accessories



Dimensions (mm/in)

