

# HDFX-P2015X-W1-T

2MP 15x Starlight PTZ HD-AVS Camera



- 1/2.8" 2 Megapixel STARVISTM CMOS
- Powerful 15x optical zoom
- 5mm–75mm lens
- Starlight technology
- Max. 25/30fps@1080P, 25/30/50/60fps@720P
- 120dB true WDR, 3D DNR
- IP66, IK10

## System Overview

New in IC Realtime's AVS line, the HDFX-P2015X-W1-T is a 1080P flush mount, indoor/ outdoor PTZ equipped with a 5mm– 75mm lens paired with a powerful 15x optical zoom. Housed in a tough IP66 and IK10 housing, the PTZ features the latest STARVIS CMOS sensor and 120dB WDR. This camera is also Starlight capable, allowing strong color reproduction with the least light requirements.

The camera also allows simplicity with HD video and control over coax, making it an ideal for retrofit applications with Coaxial cable, Residences, Gas Stations, Businesses and more.

## Functions

### Simplicity

HD-AVS technology inherits the born feature of simplicity from traditional analog surveillance system, making itself a best choice for investment protection. HD-AVS system can seamlessly upgrade the traditional analog system without replacing existing coaxial cabling. The plug and play approach enables full HD video surveillance without the hassle of configuring a network.

### Starlight Technology

For challenging low-light applications, Starlight Ultra-low Light Technology offers best-in-class light sensitivity, capturing color details in low light. The camera uses a set of optical features to balance light throughout the scene, resulting in clear images in dark environments.

### Wide Dynamic Range

The camera achieves vivid images, even in the most intense contrast lighting conditions, using industry-leading wide dynamic range (WDR) technology. For applications with both bright and low lighting conditions that change quickly, true WDR (120 dB) optimizes both the bright and dark areas of a scene at the same time to provide usable video.

### Environmental

With a temperature range of -22 °F to +140°F (-30 °C to +60 °C), the camera is designed for extreme temperature environments. Subjected and certified to rigorous dust and water immersion tests, the IP66 rating makes it suitable for demanding applications.

### Protection

This camera suits even the harsh conditions for applications. Its 6KV lightning rating provides protection against the camera and its structure from the effects of lightning.

The camera complies with an IK10 vandal resistance rating making it capable of withstanding the equivalent of 11.02 lbs (5 kg) of force dropped from a height of 15.75 in (40 cm).

## Technical Specification

### Camera

Image Sensor	1/2.8" STARVIS™ CMOS
Effective Pixels	1920(H) x 1080(V), 2 Megapixels
Scanning System	Progressive
RAM/ROM	256MB/ 16MB
Electronic Shutter Speed	1/3 s–1/100000 s
Minimum Illumination	Color: 0.005 Lux@F1.6 B/W: 0.0005 Lux@F1.6
IR Distance	N/A
IR On/Off Control	N/A
IR LEDs	N/A

### Lens

Focal Length	5 mm–75 mm			
Max. Aperture	F1.6– F2.8			
Angle of View	Horizontal: 58.9–5.1; Vertical: 34.1–2.9			
Optical Zoom	15x			
Focus Control	Auto/Semi-Auto/Manual			
Close Focus Distance	3.28 ft–4.92 ft (1 m–1.5 m)			
DORI Distance	Detect	Observe	Recognize	Identify
	3392 ft	1341 ft	672ft	337ft

### Pan/Tilt/Rotation

Pan/Tilt Range	Pan: 0° ~ 360° endless Tilt: -2° ~ 90°, auto flip 180°
Manual Control Speed	Pan: 300%/s; Tilt: 200%/s
Preset Speed	Pan: 300%/s; Tilt: 200%/s
Presets	300
Tour	8 (max 32 presets)
Pattern	5
Scan	5
Speed Adjustment	Supported
Power-off Memory	Supported
Idle Motion	Preset/Tour/Pattern/Scan
Protocol	ICR-SD, Pelco-P/D (Auto recognition)

### Video

Resolution	1080P (1920 × 1080); 720P (1280 × 720); D1 (704 × 576/704 × 480)
Frame Rate	25/30fps@1080P, 25/30/50/60fps@720P
Video Output	1-channel BNC high definition video output/ CVBS standard definition video output (switchable)
Day/Night	Supported
BLC Mode	BLC / HLC / WDR(120dB)
White Balance	Auto/Indoor/Outdoor/Tracking/Manual/Sodium lamp/ Natural light/Street lamp
Gain Control	Auto / Manual
Noise Reduction	2D/3D
Digital Zoom	16x
Image Stabilization	Electronic
Defog	Electronic

Motion Detection	Supported
Region of Interest (RoI)	Supported
Flip	0°/180°
Privacy Masking	Up to 24 areas

### Audio

Compression	G.711a; G.711Mu
-------------	-----------------

### Certifications

Certifications	FCC: Part 15 subpart B
----------------	------------------------

### Interface

Video Interface	1 (CVBS/ AVS output, BNC port)
Supported Formats	AVS, CVI; TVI; AHD; CVBS
Audio Interface	1 channel in
RS485	1 (baud rate range: 1200 bps–9600 bps)
Alarm I/O	2/1

### Electrical

Power Supply	DC 12V/5A ± 10%
Power Consumption	Basic: 9.6W Max: 12W (While utilizing PTZ operations)

### Environmental

Operating Conditions	-22°F ~ +140°F (-30°C ~ 60°C )/ Less than 95% RH
Lightning Protection	TVS 6000V lightning protection and surge protection
Ingress Protection	IP66
Vandal Resistance	IK10

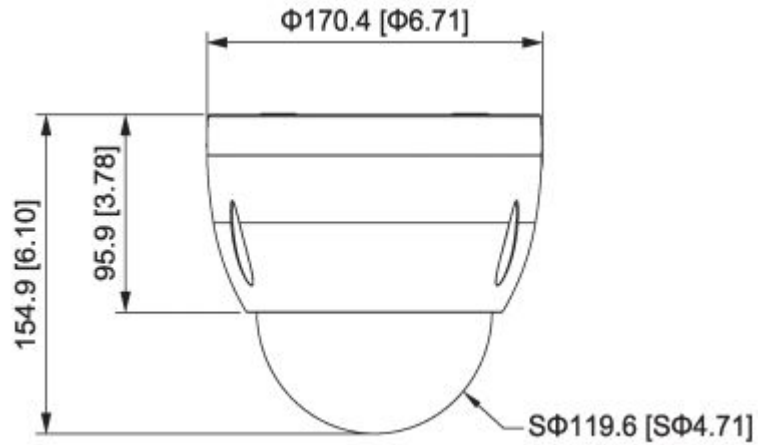
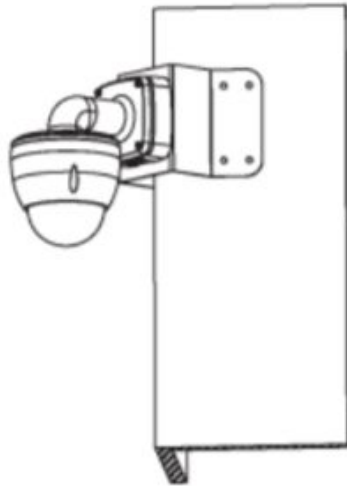
### Construction

Casing	Metal
Dimensions	6.10" × 6.69" (155 mm × 170 mm)
Net Weight	3.97lb (1.8kg)
Gross Weight	7.28lb (3.3kg)

Application

Dimensions (mm/in)

**MNT-ARM-MPB300S  
+ MNT-PCNRIP**



**MNT-CEILING-MPA**

