

HDEG-E50F-IR-M2

5MP HD-AVS Eyeball Camera



- 25 fps@5MP (16:9 video output)
- AVS/ AHD/ TVI/ CVBS multi format output
- Starlight, 120 dB true WDR, 3D NR
- 2.8 mm fixed lens
- Smart IR, Max. IR length 66 feet
- IP67, 12V DC \pm 30%

System Overview

IC Realtime's HDEG-E50F-IR-M2 is HD-AVS eyeball style camera that providing 5MP at 25fps with 16:9 aspect ratio. This tough, IP67 rated outdoor eyeball turret style camera is equipped with a 2.8mm fixed lens paired with DWDR and Smart IR with a max IR length of 66 feet. This enables excellent image quality under the most demanding lighting conditions.

The camera also offers exceptional installation flexibility with AVS/ AHD/ TVI and CVBS multi format support and HD quality images with the simplicity of reusing existing coaxial infrastructure as well as compatibility with many third party coaxial recorders

System Overview

Multiple-format OSD

The camera supports multiple video formats including HD-AVS, CVBS, TVI and AHD. Accessing the camera's OSD allows you to quickly toggle formats, further simplifying installation and debugging. This feature makes the camera compatible with not only AVRs, but also most existing HD/SD DVRs.

Smart IR Technology

With IR illumination, detailed images can be captured in low light or total darkness. The camera's Smart IR technology adjusts the intensity of camera's infrared LEDs to compensate the distance of an object. Smart IR technology prevents IR LEDs from whitening out images as they come closer to the camera. The camera's integrated infrared illumination provides high performance in extreme low-light environments up to 66 ft (20 m).

Simplicity

HD-AVS technology inherits the born feature of simplicity from traditional analog surveillance system, making itself a best choice for investment protection. HD-AVS system can seamlessly upgrade the traditional analog system without replacing existing coaxial cabling. The plug and play approach enables full HD video surveillance without the hassle of configuring a network.

Starlight

With the adoption of large sized high performance sensor, the camera is able to provide incomparable performance even under extreme low light environment. The starlight feature allows more details to be captured and accurate color to be recognized at night or in scenes with limited illumination.

Wide Dynamic Range

Embedded with industry leading wide dynamic range (WDR) technology, vivid pictures are achieved even in the most intense contrast lighting conditions. True WDR (120dB) optimizes both the bright and dark areas of a scene at the same time to provide usable video.

Protection

The camera's outstanding reliability is unsurpassed due to its rugged design. The camera is protected against water and dust with IP67 rating, making it suitable for indoor or outdoor environments.

Advanced 3DNR

3DNR is noise reduction technology that detects and eliminates random noises by comparing two sequential frames. IC Realtime's advanced 3DNR technology allows remarkable noise reduction with little impact to sharpness, especially under limited lighting conditions. 3DNR also effectively decreases the required bandwidth and helps lower storage space requirements.

Technical Specification

Camera

Image Sensor	1/2.7" CMOS
Effective Pixels	2880 (H) × 1620 (V) (5MP, 16:9)
Scanning System	Progressive
Electronic Shutter Speed	NTSC: 1/30–1/100000 s PAL: 1/25–1/100000 s
Minimum Illumination`	0.02 Lux/F2.0, 30IRE, 0 Lux IR on
S/N Ratio	More than 65dB
IR Distance	66 ft (20 m)
IR On/Off Control	Auto / Manual
IR Illuminators	2

Lens

Lens Type	Fixed-focal				
Mount Type	M12				
Focal Length	2.8mm				
Max. Aperture	F1.6				
Angle of View	Horizontal: 125° Vertical: 106°				
Focus Control	Fixed				
Close Focus Distance	3.0 ft (0.9 m)				
DORI Distance	Lens	Detect	Observe	Recognize	Identify
	2.8mm	183.7 ft	73.5 ft	36.7 ft	18.4 ft

Pan/Tilt/Rotation

Pan/Tilt/Rotation Range	Pan: 0°–360° Tilt: 0°–78° Rotation: 0°–360°
-------------------------	---

Video

Resolution	5MP (2880 × 1620); 4MP (2560 × 1440); 1080P (1920 × 1080);960H (960 × 576/960 × 480)
Frame Rate	AVS NTSC: 5MP@25 fps; 4MP@30 fps; 1080P@30 fps PAL: 5MP@25 fps; 4MP@25 fps; 1080P@25 fps
	AHD NTSC: 4MP@25 fps; PAL: 4MP@25 fps;
	TVI NTSC: 4MP@25 fps; PAL: 4MP@25 fps;
	CVBS NTSC: 960H PAL: 960H
Day/Night	Auto (ICR) / Manual
WDR	DWDR
BLC Mode	BLC / HLC / DWDR
Gain Control	AGC
Noise Reduction	3D NR
White Balance	Auto / Manual
Smart IR	Supported
Defog	N/A
Mirror	Off/On
Privacy Masking	Off/On (8 areas, rectangle)

Certifications

Certifications	FCC Part 15 subpart B,
----------------	------------------------

Interface

Video Interface	1 BNC port Video output formats: AVS/ TVI/ AHD/ CVBS (Toggled by using DIP Switch)
Audio Interface	Built -in Microphone
RS485	N/A
Alarm	N/A

Electrical

Power Supply	DC 12V ±30%
Power Consumption	Max. 3.7W (12V DC, IR on)

Environmental

Operating Conditions	–40°F to +140°F (–40°C to +60°C); < 95% * Start up should be done at above –40°F (–40°C)
Storage Conditions	–22°F to +140°F (–30°C to +60°C); < 95% (non-condensation)
Ingress Protection	IP67
Vandal Resistance	N/A

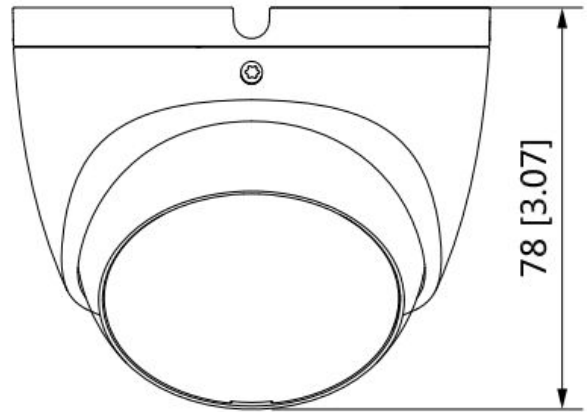
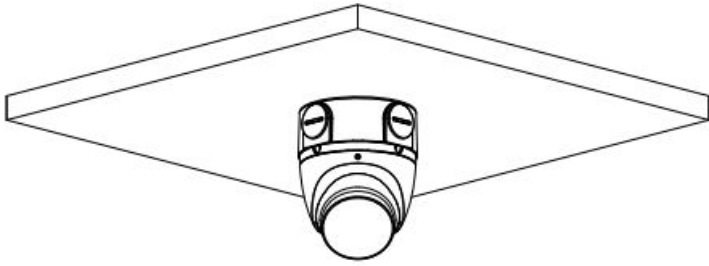
Construction

Casing	Aluminum
Dimensions	φ3.7" × 3.07" (φ94 mm × 78 mm)
Net Weight	0.60 lb (0.27 kg)
Gross Weight	0.73 lb (0.33 kg)

Mounting

Dimensions (mm/in)

MNT-JUNCTIONBOX-1



MNT-IPMINIDOME-WALL

