

AVS-Z430IR

4MP 30x IR PTZ HD-AVS Camera



- 1/2.8" 2 Megapixel STARVIST™ CMOS
- Powerful 30x optical zoom
- Starlight technology
- 120dB true WDR, 3D DNR
- Max. 25/30fps@1080P, 25/30/50/60fps@720P
- IR distance up to 150m
- IP66

System Overview

Featured with a powerful optical zoom and accurate pan/tilt/zoom performance, the AVS-Z430IR series PTZ camera can provide a large monitoring range in great detail.

The camera delivers 4MP resolution at 25/30fps, with 30x optical zoom. The AVS-Z430IR series PTZ is equipped with smooth control, a high quality image, and protection from the elements, which make it applicable in a wide range of surveillance installations.

Functions

Simplicity

HD-AVS technology inherits the born feature of simplicity from traditional analog surveillance system, making itself a best choice for investment protection.

The HD-AVS system can seamlessly upgrade the traditional analog system without replacing existing coaxial cabling. The plug and play approach enables full HD video surveillance without the hassle of configuring a network.

Wide Dynamic Range

The camera achieves vivid images, even in the most intense contrast lighting conditions, using industry-leading wide dynamic range (WDR) technology. For applications with both bright and low lighting conditions that change quickly, true WDR (120 dB) optimizes both the bright and dark areas of a scene at the same time to provide usable video.

Environmental

With a temperature range of -40 °C to +60 °C (-40 °F to +140 °F), the camera is designed for extreme temperature environments. Subjected and certified to rigorous dust and water immersion tests, the IP66 rating makes it suitable for demanding outdoor applications.

Protection

This camera suits even the harsh conditions for outdoor applications. Its 6KV lightning rating provides protection against the camera and its structure from the effects of lightning.

Technical Specification

Camera

| | |
|--------------------------|--|
| Image Sensor | 1/3" CMOS |
| Effective Pixels | 2592(H) x 1520(V), 4 Megapixels |
| Scanning System | Progressive |
| Electronic Shutter Speed | PAL: 1/3s~1/30,000s NTSC: 1/4s~1/30,000s |
| Minimum Illumination | Color: 0.05Lux@F1.6; B/W: 0.005Lux@F1.6; 0Lux@F1.6 (IR on) |
| S/N Ratio | More than 55dB |
| IR Distance | Distance up to 100m (328ft) |
| IR On/Off Control | Auto/Manual |
| IR LEDs | 6 |

Lens

| | | | | |
|----------------------|---------------|---------|-----------|----------|
| Lens Type | 4.5mm~135mm | | | |
| Max. Aperture | F1.6 ~ F4.4 | | | |
| Angle of View | H: 60° ~ 2.2° | | | |
| Optical Zoom | 30x | | | |
| Focus Control | Auto / Manual | | | |
| Close Focus Distance | 100mm~ 1000mm | | | |
| | Detect | Observe | Recognize | Identify |
| DORI Distance | 2700m | 1080m | 540m | 270m |
| | 8858ft | 3543ft | 1772ft | 886ft |

Pan/Tilt/Rotation

| | |
|----------------------|---|
| Pan/Tilt Range | Pan: 0° ~ 360° endless Tilt: -15° ~ 90°, auto flip 180° |
| Manual Control Speed | Pan: 0.1° ~160° /s; Tilt: 0.1° ~120° /s |
| Preset Speed | Pan: 240° /s; Tilt: 200° /s |
| Presets | 300 |
| PTZ Mode | 5 Pattern, 8 Tour, Auto Pan, Auto Scan |
| Speed Setup | Human-oriented focal Length/ speed adaptation |
| Power up Action | Auto restore to previous PTZ and lens status after power failure |
| Idle Motion | Activate Preset/ Scan/ Tour/ Pattern if there is no command in the specified period |
| Protocol | ICR-SD, Pelco-P/D (Auto recognition) |

Video

| | |
|-----------------|--|
| Resolution | 4M(2592x1520) / 1080P(1920x1080) / 720P(1280x720) |
| Frame Rate | 25/30fps@4M/1080P, 25/30/50/60fps@720P |
| Video Output | 1-channel BNC high definition video output/ CVBS standard definition video output (switchable) |
| Day/Night | Auto(ICR) / Color / B/W |
| OSD Menu | Support |
| BLC Mode | BLC / HLC / WDR(120dB) |
| White Balance | Auto, ATW, Indoor, Outdoor, Manual |
| Gain Control | Auto / Manual |
| Noise Reduction | Ultra DNR (2D/3D) |
| Digital Zoom | 16x |
| Flip | 180° |
| Privacy Masking | Up to 24 areas |

Certifications

| | |
|----------------|--|
| Certifications | CE: EN55032/EN55024/EN50130-4 FCC: Part15 subpartB,ANSI C63.4- 2014 UL: UL60950-1+CAN/CSA C22.2.No.60950-1 |
|----------------|--|

Interface

| | |
|-----------------|---------------|
| Video Interface | 1-channel BNC |
| Audio Interface | 1 channel in |
| RS485 | 1 |
| Alarm I/O | 2/1 |

Electrical

| | |
|-------------------|------------------|
| Power Supply | AC24V/3A(±10%) |
| Power Consumption | 13W, 23W (IR on) |

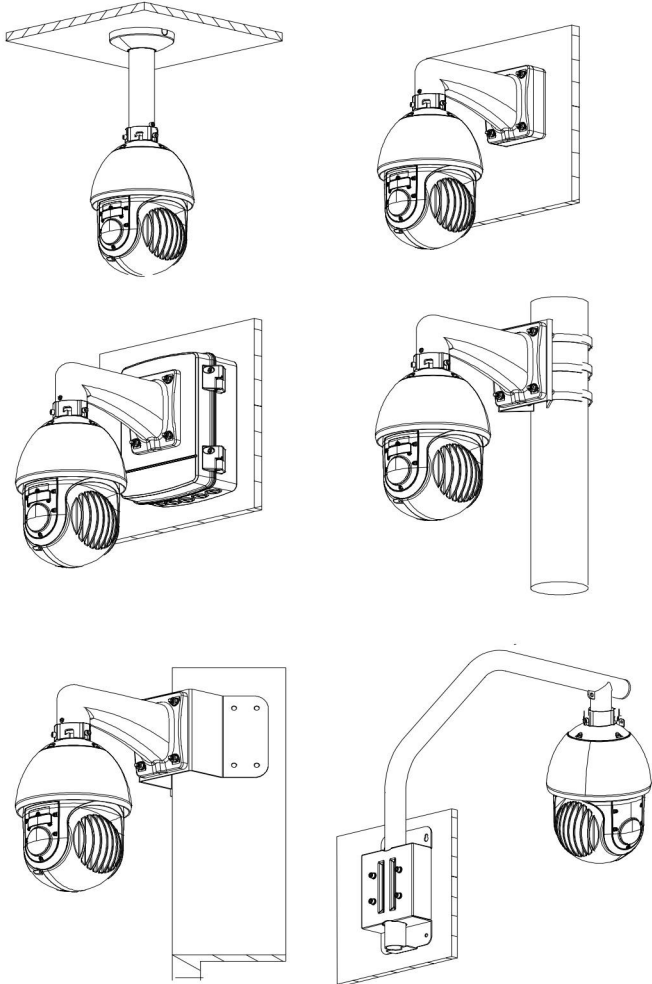
Environmental

| | |
|----------------------|--|
| Operating Conditions | -40°C ~ 60°C (-40°F ~ +140°F) / Less than 95% RH |
| Ingress Protection | IP66 |
| Vandal Resistance | N/A |

Construction

| | |
|--------------|--------------------|
| Casing | Metal |
| Dimensions | Φ205(mm) x 336(mm) |
| Net Weight | 5kg(11.02lb) |
| Gross Weight | 8.3kg(18.30lb) |

Mounting



Dimensions (mm/in)

