

AVS-P2012T

2MP 12x Starlight PTZ HD-AVS Camera



- 1/2.8" 2 Megapixel STARVISTM CMOS
- Powerful 12x optical zoom
- Starlight technology
- Max. 25/30fps@1080P, 25/30/50/60fps@720P
- 120dB true WDR, 3D DNR
- IP66, IK10

System Overview

A new release to the AVS line-up, the AVS-P2012T. This camera is a flush mount, indoor / outdoor PTZ equipped with the latest in STARVIS imaging sensors allowing strong color reproduction with the least light requirements.

The camera itself is a true WDR camera with 120dB of WDR. The optics on the camera are a powered 12X zoom module allowing a focal length of 5.3mm ~ 64mm. Ideal applications for this PTZ include retrofit applications with Coaxial cable, Residences, Gas Stations, Businesses and more.

Functions

Simplicity

HD-AVS technology inherits the born feature of simplicity from traditional analog surveillance system, making itself a best choice for investment protection. HD-AVS system can seamlessly upgrade the traditional analog system without replacing existing coaxial cabling. The plug and play approach enables full HD video surveillance without the hassle of configuring a network.

Starlight Technology

For challenging low-light applications, Starlight Ultra-low Light Technology offers best-in-class light sensitivity, capturing color details in low light. The camera uses a set of optical features to balance light throughout the scene, resulting in clear images in dark environments.

Wide Dynamic Range

The camera achieves vivid images, even in the most intense contrast lighting conditions, using industry-leading wide dynamic range (WDR) technology. For applications with both bright and low lighting conditions that change quickly, true WDR (120 dB) optimizes both the bright and dark areas of a scene at the same time to provide usable video.

Environmental

With a temperature range of -30 °C to +60 °C (-22 °F to +140°F), the camera is designed for extreme temperature environments. Subjected and certified to rigorous dust and water immersion tests, the IP66 rating makes it suitable for demanding applications.

Protection

This camera suits even the harsh conditions for applications. Its 2KV lightning rating provides protection against the camera and its structure from the effects of lightning.

The camera complies with an IK10 vandal resistance rating making it capable of withstanding the equivalent of 5 kg (11.02 lbs) of force dropped from a height of 40 cm (15.75 in).

Technical Specification

Camera

Image Sensor	1/2.8" STARVIS™ CMOS
Effective Pixels	1920(H) x 1080(V), 2 Megapixels
Scanning System	Progressive
Electronic Shutter Speed	PAL: 1/3s~1/30,000s NTSC: 1/4s~1/30,000s
Minimum Illumination	Color: 0.005Lux@F1.6; B/W:0.0005Lux@F1.6
S/N Ratio	More than 50dB
IR Distance	N/A
IR On/Off Control	N/A
IR LEDs	N/A

Lens

Lens Type	5.3mm~64mm			
Max. Aperture	F1.6 ~ F3.0			
Angle of View	H: 58.2° ~ 4.8°			
Optical Zoom	12x			
Focus Control	Auto / Manual			
Close Focus Distance	100mm~ 1000mm			
DORI Distance	Detect	Observe	Recognize	Identify
	883m	353m	177m	88m
	2897ft	1158ft	581ft	289ft

Pan/Tilt/Rotation

Pan/Tilt Range	Pan: 0° ~ 360° endless Tilt: -2° ~ 90°, auto flip 180°
Manual Control Speed	Pan: 0.1° ~300° /s; Tilt: 0.1° ~120° /s
Preset Speed	Pan: 300° /s; Tilt: 200° /s
Presets	300
PTZ Mode	5 Pattern, 8 Tour, Auto Pan, Auto Scan
Speed Setup	Human-oriented focal Length/ speed adaptation
Power up Action	Auto restore to previous PTZ and lens status after power failure
Idle Motion	Activate Preset/ Scan/Tour/ Pattern if there is no command in the specified period
Protocol	ICR-SD, Pelco-P/D (Auto recognition)

Video

Resolution	1080P(1920x1080)/720P(1280x720)
Frame Rate	25/30fps@1080P, 25/30/50/60fps@720P
Video Output	1-channel BNC high definition video output/ CVBS standard definition video output (switchable)
Day/Night	Auto(ICR) / Color / B/W
OSD Menu	Support
BLC Mode	BLC / HLC / WDR(120dB)
White Balance	Auto, ATW, Indoor, Outdoor, Manual
Gain Control	Auto / Manual
Noise Reduction	Ultra DNR (2D/3D)
Digital Zoom	16x
Flip	180°
Privacy Masking	Up to 24 areas

Certifications

Certifications	CE: EN55032/EN55024/EN50130-4 FCC: Part15 subpartB,ANSI C63.4- 2014 UL: UL60950-1+CAN/CSA C22.2.No.60950-1
----------------	------------------------------------------------------------------------------------------------------------------

Interface

Video Interface	1-channel BNC
Audio Interface	1 channel in
RS485	1
Alarm I/O	2/1

Electrical

Power Supply	AC24V/1.5A(±10%)
Power Consumption	10W

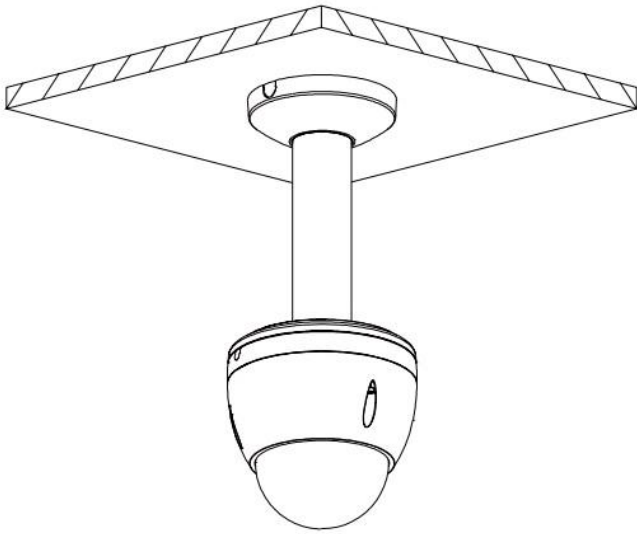
Environmental

Operating Conditions	-30°C ~ 60°C (-22°F ~ +140°F) / Less than 95% RH
Ingress Protection	IP66
Vandal Resistance	IK10

Construction

Casing	Metal
Dimensions	Φ170(mm)×155(mm)
Net Weight	1.8kg(3.97lb)
Gross Weight	3.3kg(7.28lb)

Mounting



Dimensions (mm/in)

